

HiPace™ 300 Plus

HiPace™ 300 Plus innovation

The ideal turbopump for analytical applications. Especially suited for electron microscopy and high-end mass spectrometry.

Advantages at a glance

- ▶ Extremely reduced stray magnetic field
- ▶ Very low vibration level, especially in conjunction with a vibration isolator
- ▶ Excellent compression ratio and pumping speeds



HiPace™ 300 Plus with vibration isolator

Technical data

Pump model	Unit	HiPace™ 300 Plus with TC 110
Nominal connection diameter		
Inlet		DN 100
Outlet		DN 16 ISO-KF / G 1/4"
Venting connection		G 1/8"
Run-up time	min	3.5
Pumping speed for:		
Nitrogen (N ₂)	l/s	260
Helium (He)	l/s	255
Hydrogen (H ₂)	l/s	220
Argon (Ar)	l/s	255
Compression ratio for:		
Nitrogen (N ₂)		> 10 ¹¹
Helium (He)		> 10 ⁸
Hydrogen (H ₂)		9 · 10 ⁵
Argon (Ar)		> 10 ¹¹
Max. backing vacuum pressure		
Nitrogen (N ₂)	mbar	15
Max. gas throughput at rated speed		
Nitrogen (N ₂)	mbar l/s	5
Input voltage with controller	V DC	24 ± 5%
Max. power consumption	W	180
Weight	kg	5.8 - 7.8

For vertical installation only!



Pfeiffer Vacuum · Headquarters/Germany

Phone +49 (0) 6441 802-0 · Fax +49 (0) 6441 802-202 · info@pfeiffer-vacuum.de · www.pfeiffer-vacuum.net

HiPace™ 300 Plus

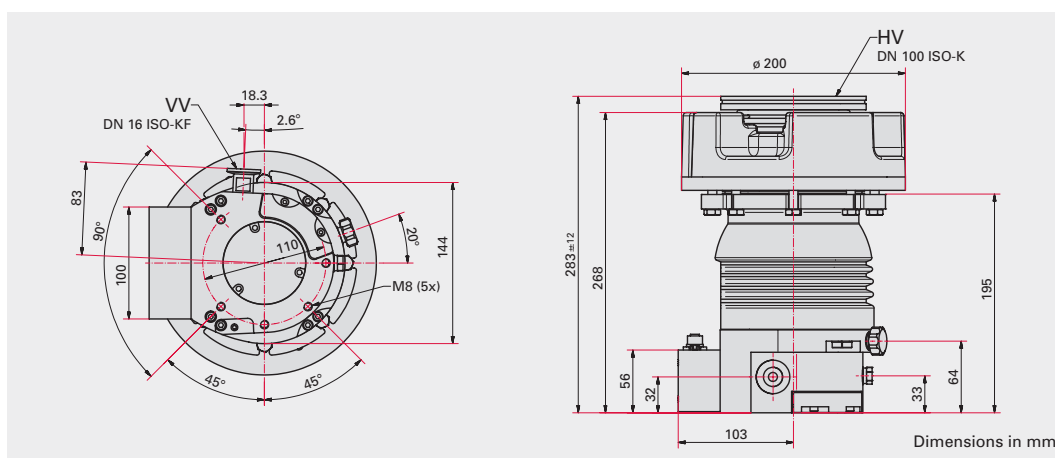
Accessories

The following accessories are available to you:

- ▶ Vibration isolator
- ▶ Power supplies
- ▶ Cabling
- ▶ Accessories for venting, cooling and heating
- ▶ Backing pump control
- ▶ Mounting materials

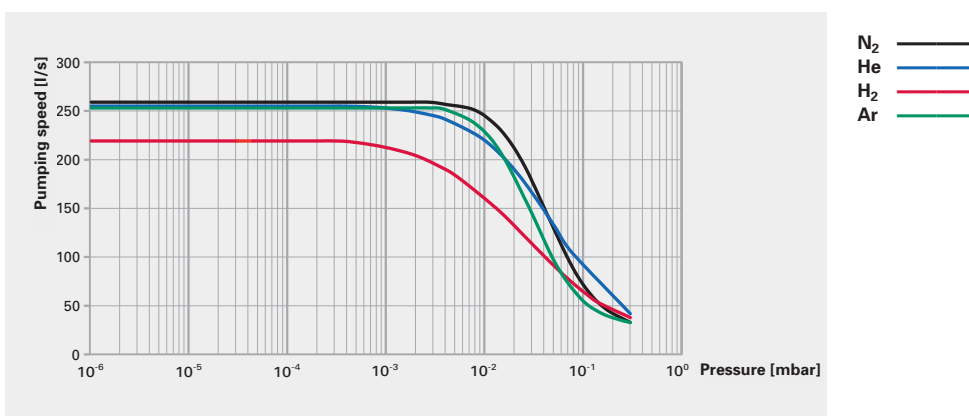
For detailed information please refer to www.pfeiffer-vacuum.net

Dimensions



HiPace™ 300 Plus, DN 100 ISO-F with TC 110, incl. vibration isolator (DN 100 ISO-K)

Pumping speed



Order numbers

Pump model	HiPace™ 300 Plus		
Flange	DN 100 ISO-K	DN 100 CF-F	DN 100 ISO-F
Order number	PM P03 980	PM P03 981	PM P03 982



Pfeiffer Vacuum · Headquarters/Germany

Phone +49 (0) 6441 802-0 · Fax +49 (0) 6441 802-202 · info@pfeiffer-vacuum.de · www.pfeiffer-vacuum.net