

A1804X/XN SUPER EHT

Introduction

- The purpose of this document is to list all the specificities of an A1804X or A1804XN Super EHT in case of pump upgrade.
- For new pumps, the complete configuration can be selected directly through the product ordering guide

Specificities

1. BF204X or BF204XN (std 2 cooling pts version)
2. Exhaust line FFKM
3. Exhaust thermal insulation → **P/N 121622**
4. LP1 Stator Insulating Jacket FB 204 → **P/N A112085**
5. Inlet Heater DN100 → **P/N 121980**
6. Linktube Insulation Cover → **P/N 124617**
7. Heater Exhaust RSV1803 → **P/N 121979**
8. Insulation Heating Jacket RSV1803 → **P/N 124616**
9. Electrical Spare Parts

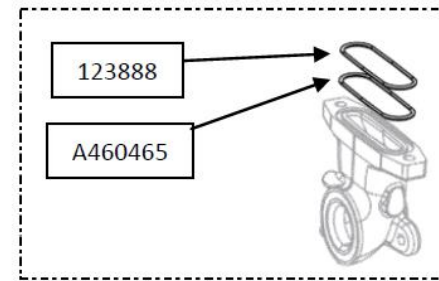
1. BF 204X/XN FFKM

- Component Kit FB204X/XN FFKM

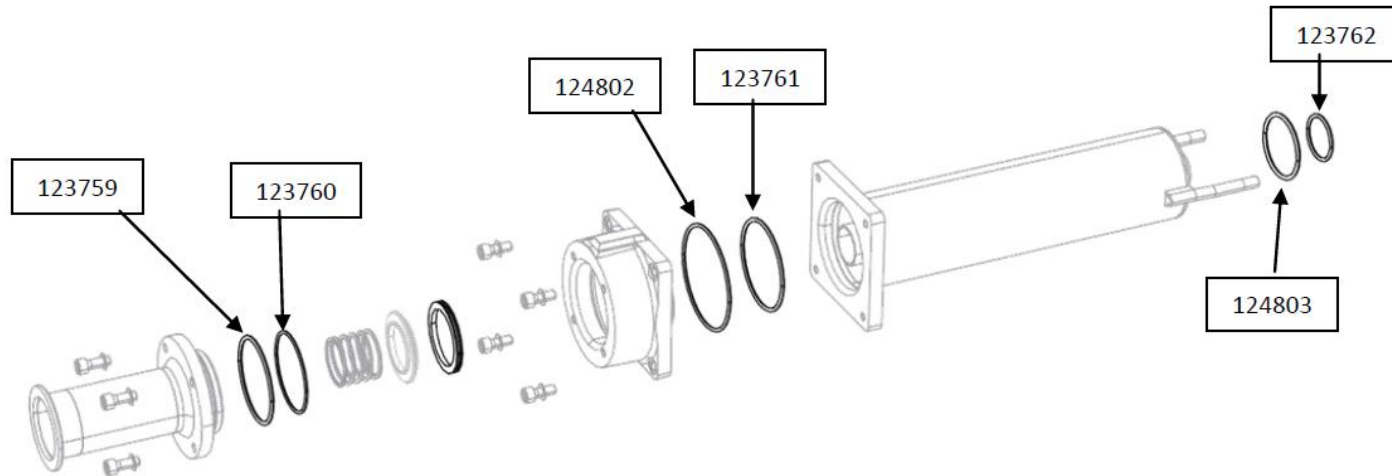
P/N	DESIGNATION	QTY
060242	WASHER FB 103/122/A203H/A300 - A449969	1
120876	Oil sight glass 6mm	1
A460464	PTFE BARRIER STATORS ADP122	6
119443	O Ring 300 21182 PPE - BF204X&H V75SC	3
079518	O Ring 250 06000 B ISO3601 FPM72	4
124763	O Ring 300 21310 FFKM CHRAZ 655	3
079145	O Ring 353 15835 B ISO3601 FPM72	1
111714	O Ring 200 04600 B ISO3601 FPM72	4
079136	O Ring 300 09600 B ISO3601 FPM72	1
119486	OIL HOUSING MAGNET	1
061951	LUBRIFICATION PLATE (ADP) A452994	1
109696	BALL BEARING 30x62x23.8	2
119775	INVERTED SEAL ISTJYFBB0501 FB 204X&H	2
121704	25X47X12-SPE 3515 LP BALL BEARING	2
A332668	SCREW CHC M 6 - 77 SS FOR A203	12

2. Exhaust Line FFKM

Exhaust with valve S4 + FFKM Overhaul kit **P/N 125541**



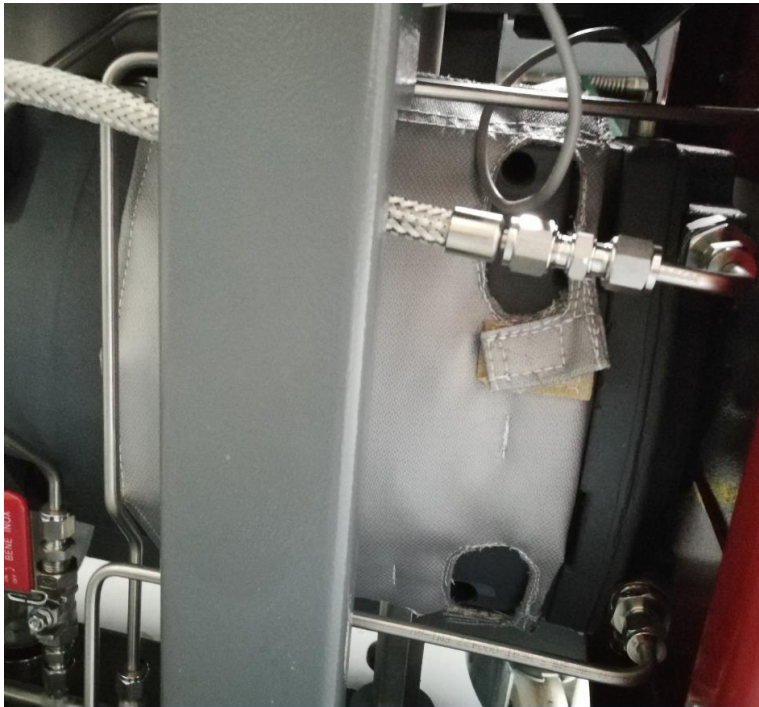
For block with exhaust not integrated



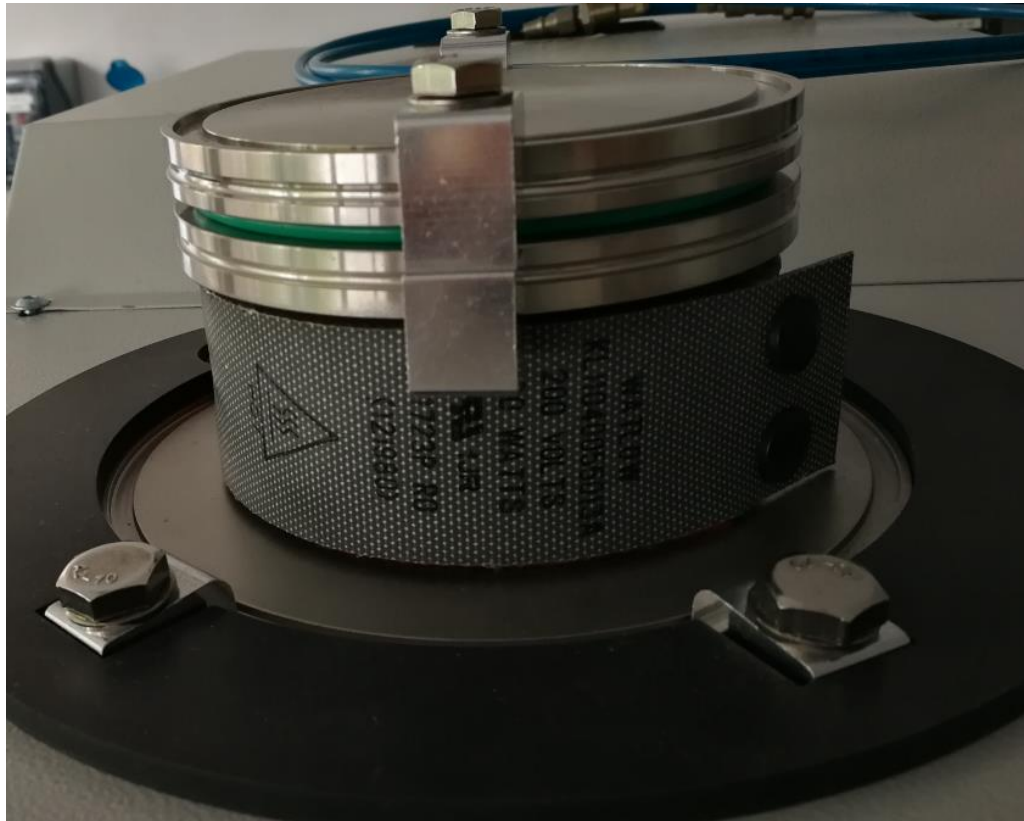
3. Exhaust thermal insulation P/N 121622



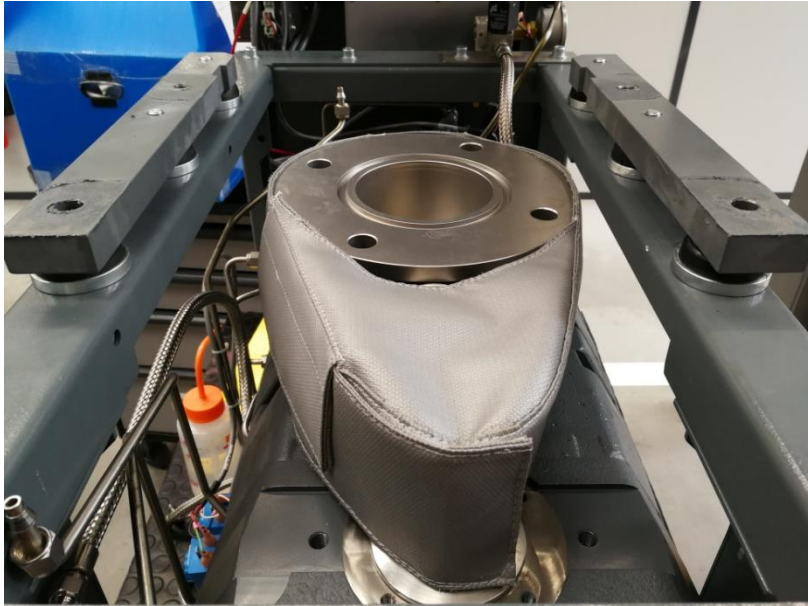
4. LP1 Stator Insulating Jacket FB 204 P/N A112085



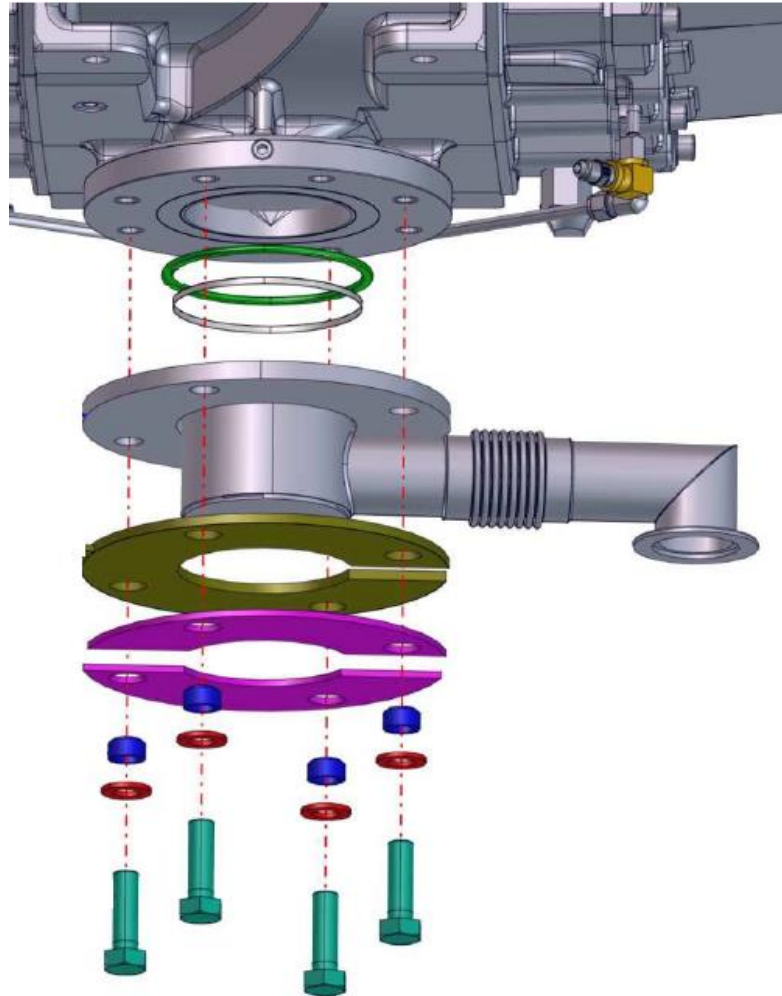
5. Inlet Heater DN100 P/N 121980



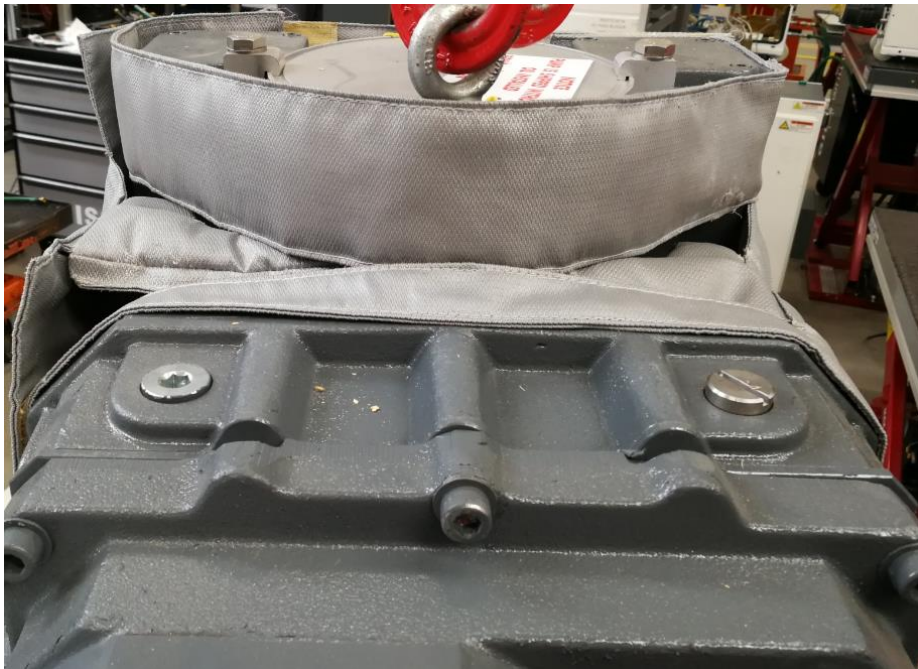
6. Linktube Insulation Cover P/N 124617



7. Heater exhaust RSV1803 P/N 121979

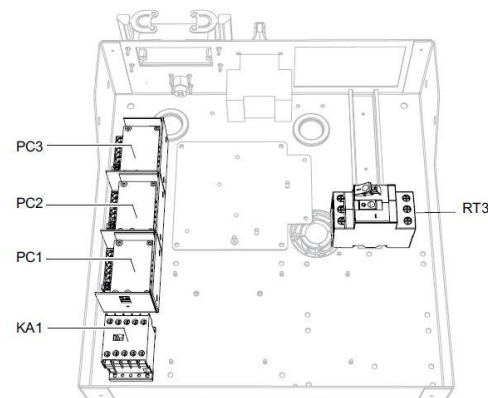


8. Insulation heating jacket RSV1803 P/N 124616



9. Electrical Spare Parts

- Space Parts below must be installed to drive different heaters.
- Heater parameters (threshold , alarm) can be set on HHR menu.



P/N	DESIGNATION	QTY
A333463	HARNESS C32/S4 RT2->RT3	1
108662	CIRCUIT BREAKER 2,5-4A (RT3)	1
A333458	HARNESS C27/S4 RT3->KA1	1
109819	CONTAC.12A/24VDC REF.LP4K1210BW3 (KA1)	1
A333461	HARNESS C30/S4 KA1-> PC1/2/3	1
A333462	CABLE C31/S4 PC1/2/3->M6	1
121522	HEATING CABINET (PC1/2/3)	3

Pump settings for ALD TiN

- HP:130°C
- LP:130°C (need a special software upgrade)
- N2: 90slm
- Hot roots: 140°C
- Insulation:
 - Roots body
 - Link plate between Roots and primary bloc
 - LP1 stage of primary bloc

