



A 100 L / A 100 L ES

Integrated light duty dry pump for fast pump down.
The perfect solution for load-lock and transfer chambers.

A 100 L/A 100 L ES

**Integrated light duty dry pump for fast pump down.
The perfect solution for load-lock and transfer chambers.**

Since 1999, date of A 100 L introduction, the dry pump integration concept has become a standard in the Semiconductor industry.

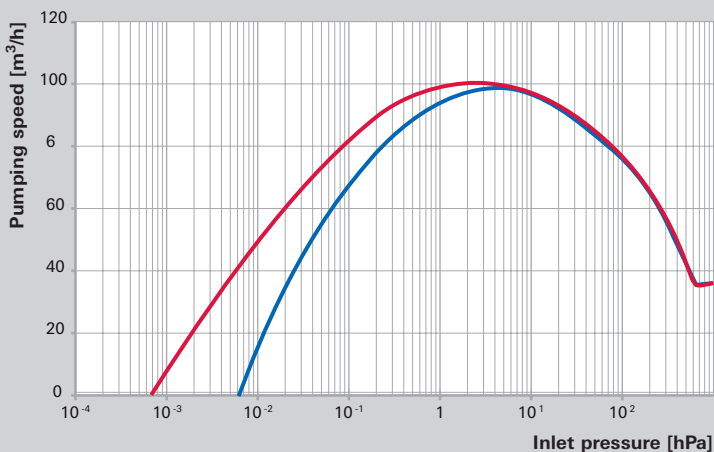
In order to benefit of A 100 L proven design and its recognized reliability and to answer to sustainability concern, an innovative Energy Saving (ES) option has been developed by Pfeiffer Vacuum. ES option can reduce power consumption by 50 %, providing significant cost of ownership reduction with no impact to throughput and footprint. In addition, the Energy Saving option features lower base pressure and lower noise level.

Not only for load-lock and transfer chambers, the A 100 L has also shown unequaled pumping capacity for light gases in cryogenics or gas recovery applications.

Customer benefits

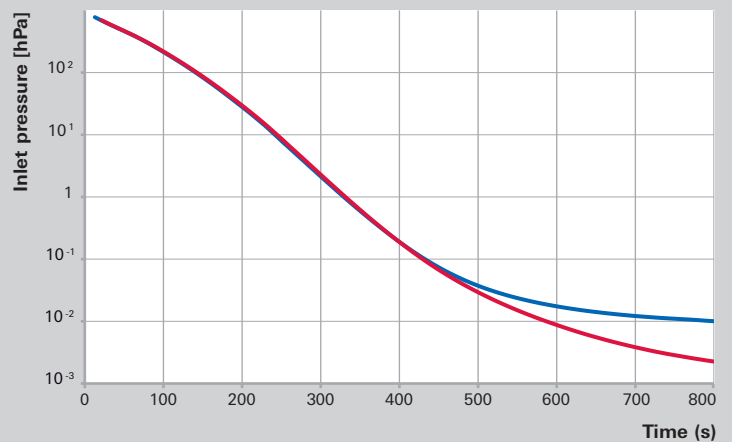
- High performance
- Reliable and energy efficient
- Compact and stackable
- Low vibration and noise levels
- Plug and Play system: integrated monitoring
- Optional RS-232/RS-485 interface

Pumping speed



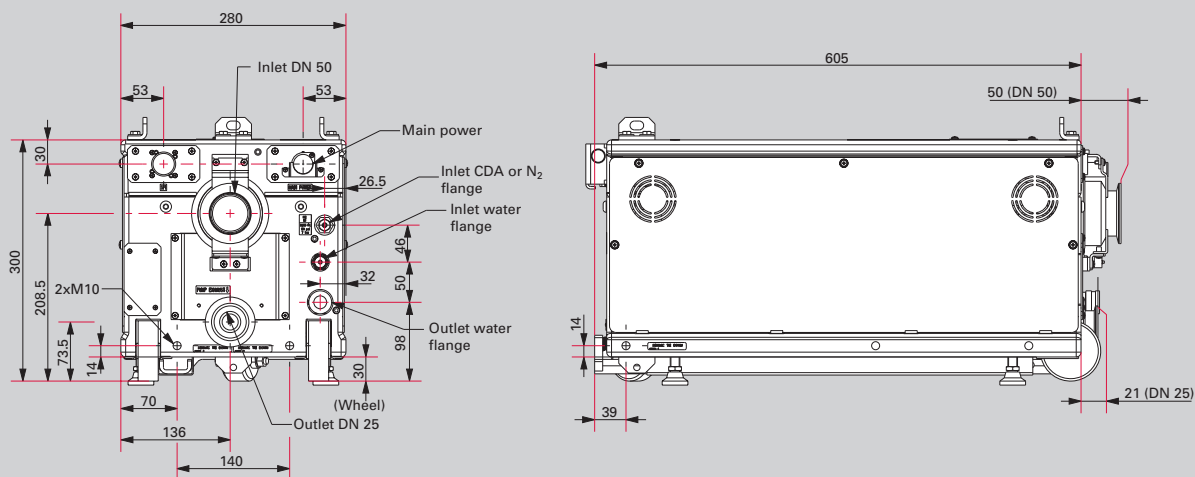
Pressure drop

A 100 L pump down curve (volume = 1 m³)



A 100 L ES —
A 100 L —

Dimensions (mm)



Technical data

Pump model	A 100 L	A 100 L ES
Pumping speed	100 m ³ /h 59 cfm 1,667 l/mn	100 m ³ /h 59 cfm 1,667 l/mn
Typical ultimate pressure	6.6 · 10 ⁻³ hPa 5 · 10 ⁻³ Torr 6.6 · 10 ⁻¹ Pa	7 · 10 ⁻⁴ hPa 5 · 10 ⁻⁴ Torr 7 · 10 ⁻² Pa
Power supply voltage, 3 phases, 50-60 Hz	200 – 208 V 380 – 400 V	200 – 208 V
Power consumption – at ultimate pressure	1.6 kW	< 0.8 kW
Max. noise level at full speed	58 dB (A)	55 dB (A)
Max. volume size	1 m ³	1 m ³
Cycling period, max. on 25 liters volume	40 s	40 s
Continuous inlet flow, max.	20 Slm	20 Slm
Typical vibration speed (at inlet flange 10–1,000 Hz)	1 mm s ⁻¹	1 mm s ⁻¹
Cooling water connection	¼ NPT Quick Connect	¼ NPT Quick Connect
Cooling water flow, min.	1.6 l/min	1.6 l/min
Compressed dry air (CDA) connection	–	1/8" Swagelock
Compressed dry air (CDA) pressure supply, min.	–	45 psig
Compressed dry air (CDA) flow ¹	–	30 Slm
Weight	100 kg	100 kg
Flange (in)	DN 50 ISO-KF	DN 50 ISO-KF
Flange (out)	DN 25 ISO-KF	DN 25 ISO-KF
Tool interface	SPI 16 or 19 pins I/O	SPI 16 or 19 pins I/O
RS-232/RS-485 interface	Option	Option

¹ Only when ES module activated

Order numbers

	without RS-232/RS-485 interface		with RS-232/RS-485 interface	
Tool interface	16 pins I/O	19 pins I/O	16 pins I/O	19 pins I/O
A 100 L (LV)	A100L31324	A100L31334	A100L31424	A100L31434
A 100 L ES (LV)	A100L51324	A100L51334	A100L51424	A100L51434

VACUUM SOLUTIONS FROM A SINGLE SOURCE

Pfeiffer Vacuum stands for innovative and custom vacuum solutions worldwide, technological perfection, competent advice and reliable service.

COMPLETE RANGE OF PRODUCTS

From a single component to complex systems:

We are the only supplier of vacuum technology that provides a complete product portfolio.

COMPETENCE IN THEORY AND PRACTICE

Benefit from our know-how and our portfolio of training opportunities!

We support you with your plant layout and provide first-class on-site service worldwide.

Are you looking for a
perfect vacuum solution?
Please contact us:

Pfeiffer Vacuum GmbH
Headquarters · Germany
T +49 6441 802-0

www.pfeiffer-vacuum.com



Follow us on social media
#pfeiffervacuum

PFEIFFER  **VACUUM**