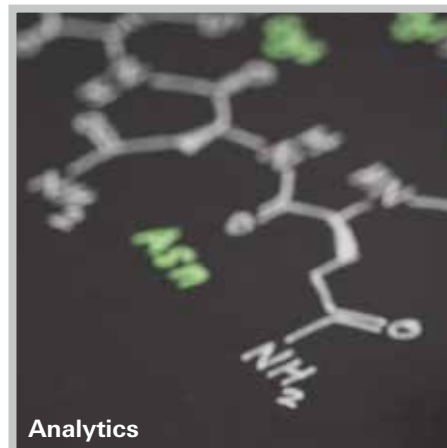


Duo 11 ATEX

Magnetically coupled rotary vane pumps
with ATEX certification



Analytics



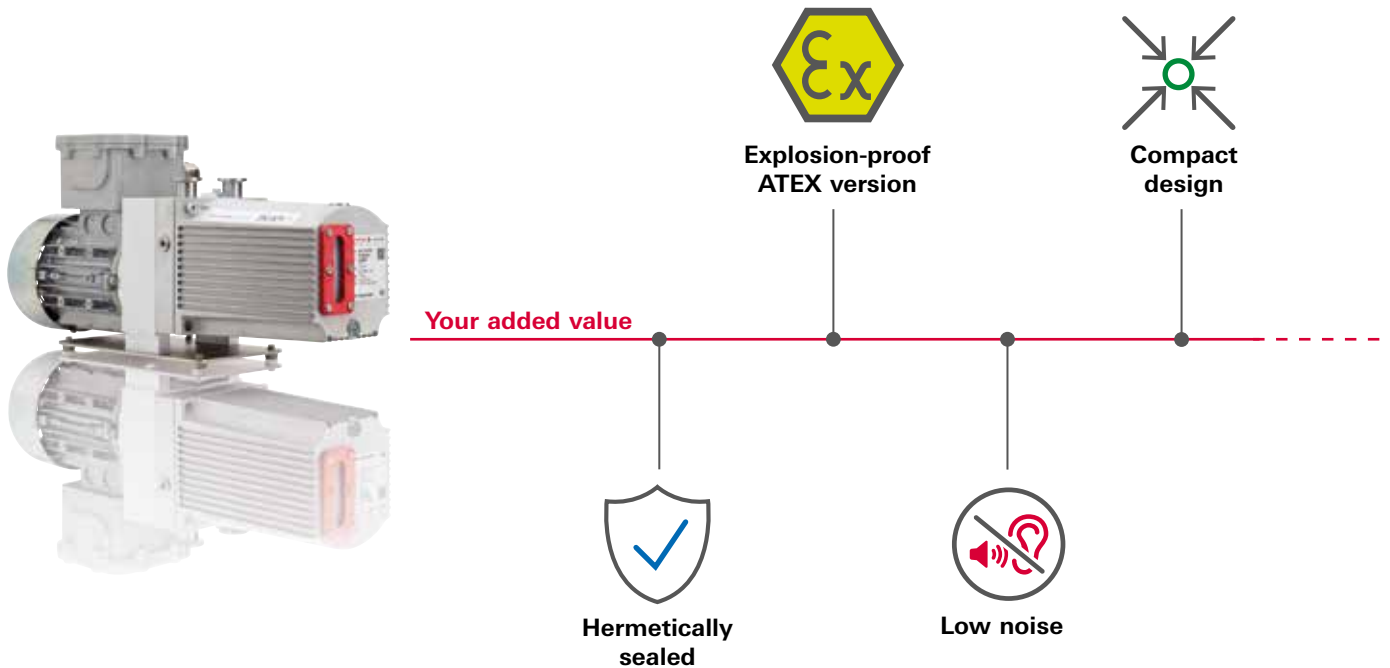
Chemical laboratories



Gas handling

Duo 11 ATEX

Magnetically coupled rotary vane pumps with ATEX certification



Explosion protected

Pfeiffer Vacuum has developed the Duo 11 ATEX rotary vane pump especially for processes that take place in explosive environments or for evacuating explosive gases and vapors. It is certified in accordance with ATEX directive 2014/34/EU and meets the high requirements for explosion protection.

The ATEX certification is valid for the interior and exterior of the pump. The pump corresponds to equipment category 3G and temperature class T3. All gases up to explosive group IIC can be pumped.

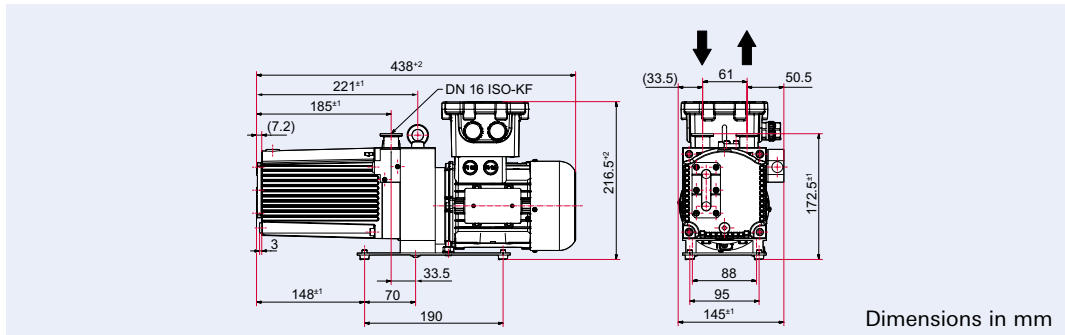
Magnetically coupled

The pumping speed is 9 m³/h at 50 Hz and 10.5 m³/h at 60 Hz. The Duo 11 ATEX is equipped with a frictionless magnetic coupling. Thus, the shaft seals that are usually installed in rotary vane pumps can be omitted. The magnetic coupling provides additional safety that is particularly important when the pump is used in potentially explosive atmospheres: No gases can leak through defective seals from the interior of the pump to the exterior.

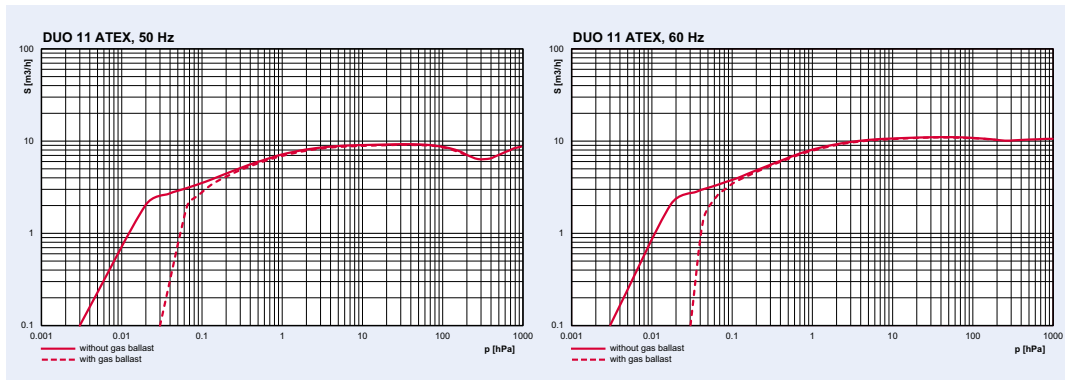
Safe

For the operation of the pump, the terms of the operating instructions apply. We are pleased to provide you with the right solution for your specific application!

Dimensions



Pumping speed



Technical data

	Duo 11 ATEX
Dimensions (L x W x H)	440 x 146 x 219 mm
Flange (in)	DN 16 ISO-KF
Flange (out)	DN 16 ISO-KF
Pumping speed at 50 Hz	9 m ³ /h
Pumping speed at 60 Hz	10.5 m ³ /h
Ultimate pressure with gas ballast	3 · 10 ⁻² hPa
Ultimate pressure without gas ballast	3 · 10 ⁻³ hPa
Exhaust pressure, min	250 hPa
Exhaust pressure, max	1,500 hPa
Rotation speed at 50 Hz	3,000 min ⁻¹
Rotation speed at 60 Hz	3,600 min ⁻¹
Leak rate safety valve	≤ 1 · 10 ⁻⁵ Pa m ³ /s
Emission sound pressure level without gas ballast at 50 Hz	54 dB (A)
Ambient temperature	12–40 °C
Protection category	IP66
Rated power 50 Hz	0.25 kW
Rated power 60 Hz	0.3 kW
Transport-und Lagertemperatur	-10–+40 °C
Operating fluid	P3
Operating fluid filling	0.5 l
Weight	15.3 kg
Cooling method, standard	Air

Typical ultimate pressure according to PNEUROOP

Order number

Order number	Duo 11 ATEX PK D59 905
--------------	---

Duo 11 ATEX

10.5 m³/h
Pumping speed at 60 Hz

≤ 3 · 10⁻³ hPa
Ultimate pressure without gas ballast



Your Success. Our Passion.

We give our best for you every day –
worldwide!

Are you looking for an
optimal vacuum solution?
Please contact us:

Pfeiffer Vacuum GmbH
Germany
T +49 6441 802-0



Errors excepted. All data subject to change without prior notice. PD 0057 PEN (September 2023/POD)

Follow us on social media
#pfeiffervacuum



www.pfeiffer-vacuum.com

PFEIFFER  **VACUUM**