



DuoVane 20

New rotary vane pump for all applications in the low and medium vacuum range



Leak Detection



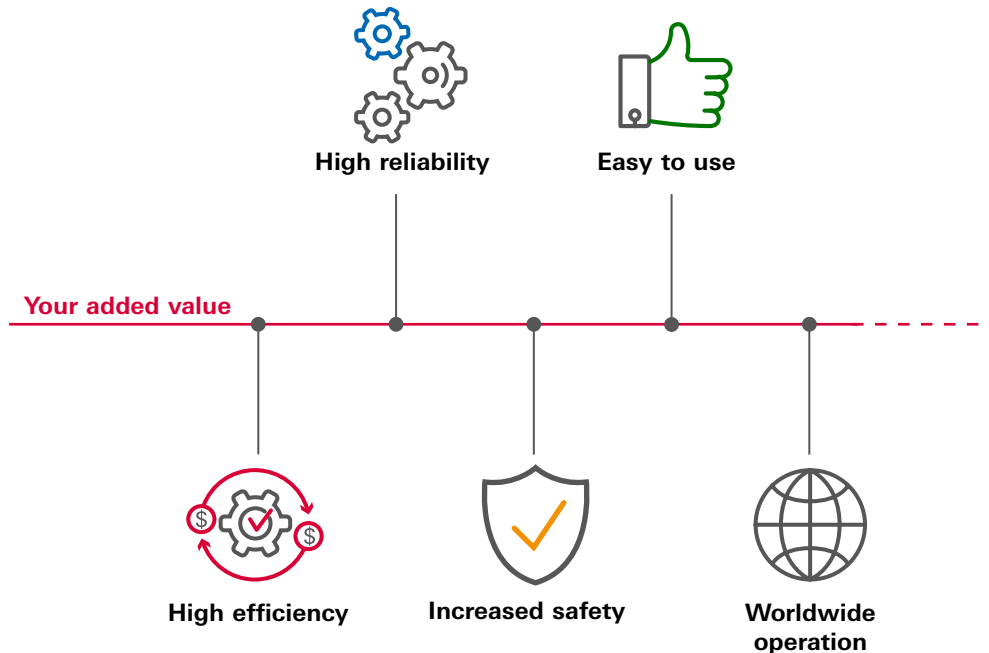
Lab Grown Diamonds



Freeze Drying

DuoVane 20

New rotary vane pump for all applications in the low and medium vacuum range



High safety and reliability

Our new DuoVane 20 is equipped with an improved safety valve at the inlet for increased security even in case of application errors. The pump was developed to help you achieve fast and effective output. The flexibility of the motor ensures worldwide operation with various standard voltages. With the smallest footprint on the market, adjustable flanges and all interfaces on one side, the easiest possible use is guaranteed.

Run your production processes for weeks without concern

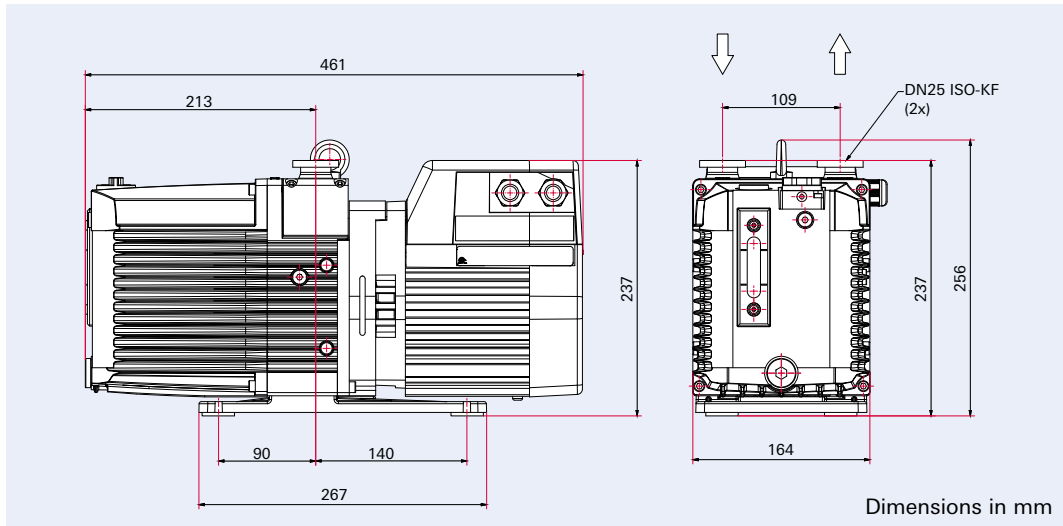
The DuoVane 20 is based on continuous improvements of our existing rotary vane pumps offering the well-known high reliability and performance of a Pfeiffer Vacuum pump. Its high water vapor capacity makes the pump ideal for freeze drying, sterilization and HVAC applications. The DuoVane 20 has a high capacity to pump light gasses such as H_2 , therefore it is the perfect choice e.g. for the production of lab grown diamonds.

Environmentally friendly

Our new DuoVane pumps are designed to achieve the best possible efficiency. Reducing power requirements while the motor achieves premium efficiency class IE2 as applicable to standard asynchronous motors. This is Pfeiffer Vacuum's contribution to a new sustainable tomorrow.



Dimensions



Technical data

	DuoVane 20
Connection flange (in)	DN 25 ISO-KF
Connection flange (out)	DN 25 ISO-KF
Pumping speed at 50 Hz	19 m ³ /h
Pumping speed at 60 Hz	22.5 m ³ /h
Gas ballast	Ja
Final pressure with gas ballast	≤ 1 · 10 ⁻² hPa
Final pressure without gas ballast	≤ 3 · 10 ⁻³ hPa
Continuous inlet pressure, max.	50 hPa
Leak rate safety valve	≤ 1 · 10 ⁻⁵ Pa m ³ /s
Exhaust pressure, min.	Atmospheric pressure
Exhaust pressure, max.	1500 hPa
Rotation speed at 50 Hz	1500 rpm
Rotation speed at 60 Hz	1800 rpm
Ambient temperature	12–40 °C
Transport and storage temperature	-25–55 °C
Continuous gas input temperature, max.	40 °C
Operating altitude, max.	2000 m
Motor type	3-ph motor
Motor protection	Bimetal
Protection degree	IP43
Rated power 50 Hz	0.55 kW
Rated power 60 Hz	0.66 kW
Input voltage(s)	200–220 / 240 / 380–415 V AC, 50 Hz; 280 / 480 V AC (±5 %), 60 Hz
Operating fluid	P3
Operating fluid amount	1.3 l
Cooling method	Air
Weight: with motor	29 kg

DuoVane 20

19 m³/h

Suction speed at 50Hz

≤ 3 · 10⁻³ hPa

Final pressure
without gasballast

Order number

	DuoVane 20
Order number	PK D940 020 14

Your Success. Our Passion.

We give our best for you every day –
worldwide!

Are you looking for an
optimal vacuum solution?
Please contact us:

Pfeiffer Vacuum GmbH
Germany
T +49 6441 802-0



Errors excepted. All data subject to change without prior notice. PD 0067 PEN (April 2023/PoD)

Follow us on social media
#pfeiffervacuum



www.pfeiffer-vacuum.com

PFEIFFER  **VACUUM**