



Hena 50 / Hena 70

High-performance vacuum pumps for mass spectrometer systems

Hena 50 / Hena 70

High-performance vacuum pumps for mass spectrometer systems

Superior performance for your instrument – with maximum availability

Hena 50 and 70 are single-stage, oil-sealed rotary vane pumps which have been specially developed for the demanding requirements of mass spectrometer systems. They achieve pumping speeds of between 32 and 59 m³/h, depending on their size and speed of rotation. Their integrated oil mist separator ensures clean exhaust air. They are equipped with a frequency converter that enables them to be used worldwide with single-phase input and identical vacuum performance for 50 and 60 Hz.

High performance with low CoO

A constantly high flow rate in the target pressure range, adjustable pumping speeds and low final vacuum provide maximum performance for your instrument. Maximum maintenance intervals and long operating times are ensured by the high oil volume in the pumps and their low oil temperature during operation.

Ideal backing pump for mass spectrometers and similar applications

Hena 50 and 70 can increase the overall availability of the instrument through their high ruggedness and reliability. At the same time, they are easy to integrate due to their low noise level and efficient oil separation. Naturally, Hena 50 and Hena 70 are UL and IEC 61010 certified.

Customer benefits

- Reliable high performance of the instrument due to constantly high pumping speed in the target pressure range
- Long maintenance intervals
- Ideal for laboratory use
- Efficient oil mist separator ensures clean exhaust air

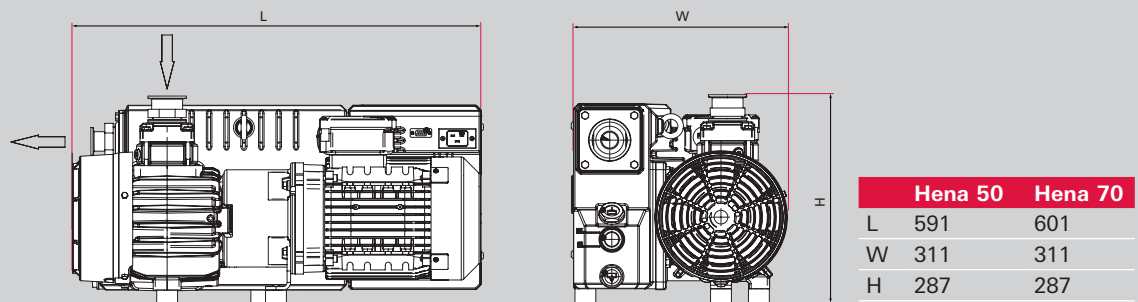
Technical data

	Hena 50	Hena 70
Maximum pumping speed at 3 hPa	46 m ³ /h	59 m ³ /h
Final pressure	< 5 · 10 ⁻² hPa	< 5 · 10 ⁻² hPa
Max. permissible intake pressure during continuous operation	20 hPa	20 hPa
Motor rated power	1.2 kW	1.2 kW
Per. ambient temperature	12–50 °C	12–50 °C
Interface	D-Sub 9p, female	D-Sub 9p, female
Mains voltage requirement: 50 Hz	200–240 V	200–240 V
Mains voltage requirement: 60 Hz	200–240 V	200–240 V
Mains requirement: voltage range	±10%	±10%
Weight	53 kg	56 kg
Operating fluid quantity	1.7 l	1.7 l
Flange (in)	DN 40 ISO-KF	DN 40 ISO-KF
Flange (out)	DN 25 ISO-KF	DN 25 ISO-KF

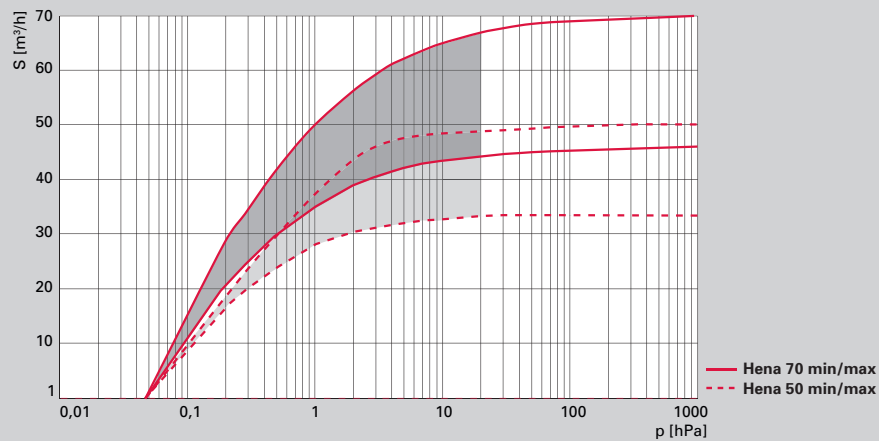
Order numbers

Pump	Hena 50	Hena 70
Order number	PK D04 081 175	PK D04 091 175

Dimensional drawing



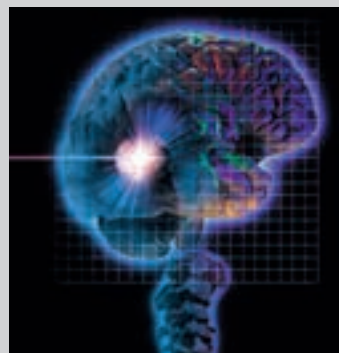
Pumping speed



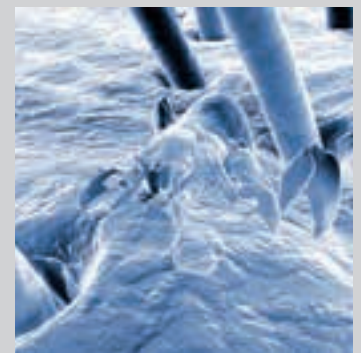
Applications



Mass spectrometers



Medical technology



Microscopy

VACUUM SOLUTIONS FROM A SINGLE SOURCE

Pfeiffer Vacuum stands for innovative and custom vacuum solutions worldwide, technological perfection, competent advice and reliable service.

COMPLETE RANGE OF PRODUCTS

From a single component to complex systems:

We are the only supplier of vacuum technology that provides a complete product portfolio.

COMPETENCE IN THEORY AND PRACTICE

Benefit from our know-how and our portfolio of training opportunities!

We support you with your plant layout and provide first-class on-site service worldwide.

Are you looking for a
perfect vacuum solution?
Please contact us:

Pfeiffer Vacuum GmbH
Germany
T +49 6441 802-0

www.pfeiffer-vacuum.com



Follow us on social media
#pfeiffervacuum

PFEIFFER  **VACUUM**