



DUO 3 DC

Rotary vane pump with innovative DC drive.
The ideal solution for automotive and analytical applications.

PFEIFFER  **VACUUM**

125
YEARS
NOTHING
IS BETTER

DUO 3 DC

**Rotary vane pump with innovative DC drive.
The ideal solution for automotive and analytical applications.**

Unique 24 VDC rotary vane pump

With the new Duo 3 DC, Pfeiffer Vacuum presents a 2-stage rotary vane pump that was developed especially for 24 VDC applications. It is the only rotary vane pump in the market that operates in a temperature range from -20 °C to +60 °C. Due to its consumption of less than 100 W in continuous operation, it is extremely energy efficient. The brushless motor and optional magnetic coupling make the Duo 3 DC a very low-maintenance pump.

Adjustable pumping speed

The Duo 3 DC offers a pumping speed of 2.7 m³/h and an ultimate pressure of $3 \cdot 10^{-3}$ hPa. Due to its innovative speed regulation, it is possible to achieve faster or slower pumping speeds.

Innovative product for the automotive industry

This pump is the solution for developers and suppliers of new, technologies in the automotive sector that need a vacuum pump with a 24 V power supply. The concepts currently being developed in this field will play an important role in the reduction of energy consumption and costs in vehicles. The Duo 3 DC generates the necessary low or fine vacuum to meet the specific requirements of this application.

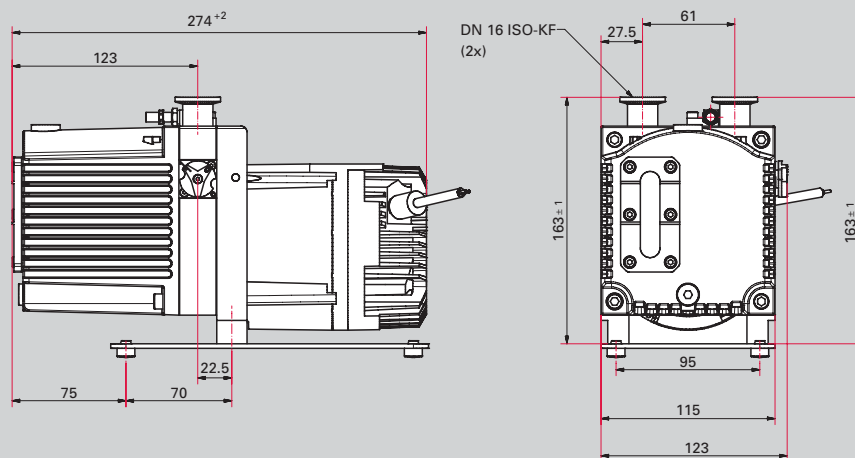
Low noise level for analytical applications

The analytical industry also offers a wide range of applications for this pump. The quiet operation allows for an installation close to a work space where a 24 V power supply is often readily available.

Customer benefits

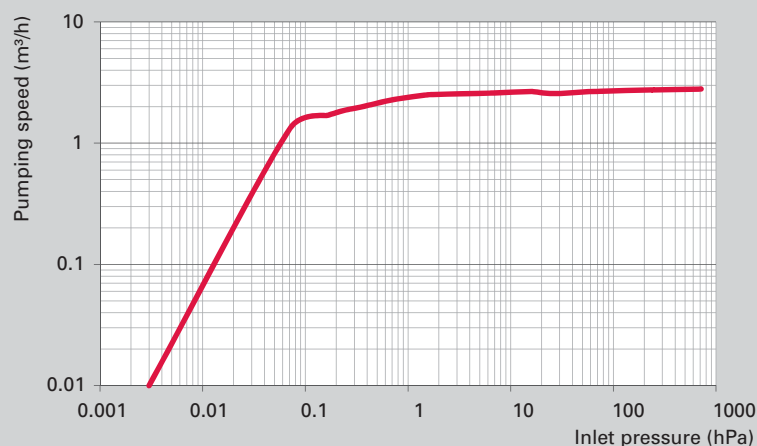
- Suitable for operation with the wide range of temperature from -20 to +60 °C
- Specifically designed for automotive and other mobile applications
- Very low noise level < 50 dB (A) allows installation close to a work space
- Low cost of ownership due to power consumption < 100 W
- Low maintenance due to brushless drive and optional magnetic coupling
- Variable speed for use in various applications
- Easy installation and small footprint

Dimensions



Dimensions in mm

Pumping speed



Technical data

	Duo 3 DC
Pumping Speed	2.7 m ³ /h
Ultimate pressure without gas ballast	3 · 10 ⁻³ hPa
Ultimate pressure with gas ballast	3 · 10 ⁻³ hPa
Emission sound pressure level without gas ballast at 50 Hz	< 50 dB(A)
Flange (in)	DN 16 KF
Flange (out)	DN 16 KF
Magnetic coupling	Optionally
Leak rate safety valve	< 10 ⁻⁵ Pa m ³ /s
Rated power (at ultimate vacuum)	< 100 W
Operating fluid (others available on request)	Inland 45
Operating fluid filling	0.4 l
Rotation speed	3,000 min ⁻¹
Ambient temperature	-20 to +60 °C
Weight	7 kg
Cooling method, standard	Air
Exhaust pressure, max	1,500 hPa
Exhaust pressure, min	250 hPa
Mains	24 V DC

Order number

	Order number
Duo 3 DC	PK D57 553

VACUUM SOLUTIONS FROM A SINGLE SOURCE

Pfeiffer Vacuum stands for innovative and custom vacuum solutions worldwide, technological perfection, competent advice and reliable service.

COMPLETE RANGE OF PRODUCTS

From a single component to complex systems:

We are the only supplier of vacuum technology that provides a complete product portfolio.

COMPETENCE IN THEORY AND PRACTICE

Benefit from our know-how and our portfolio of training opportunities!

We support you with your plant layout and provide first-class on-site service worldwide.

Are you looking for a
perfect vacuum solution?
Please contact us:

Pfeiffer Vacuum GmbH
Headquarters · Germany
T +49 6441 802-0
info@pfeiffer-vacuum.de

www.pfeiffer-vacuum.com

All data subject to change without prior notice. PD 0055 PEN (February 2015/6)

PFEIFFER  **VACUUM**

