



PASCAL 2021 HW

**Two-stage high-performance rotary vane pump:
Ideal for demanding processes with high vapor content**

PASCAL 2021 HW

Two-stage high-performance rotary vane pump: Ideal for demanding processes with high vapor content

Highest service life in processes with a lot of moisture

With the new Pascal 2021 HW, Pfeiffer Vacuum presents the two-stage rotary vane pump with the highest vapor capacity in its class. It is optimally suited for all applications where water vapor is expected, such as low temperature sterilization and drying.

An optimized design and gas ballast system allows to pump large volumes of vapor without condensation inside the pump. This prevents accumulation of fluid that would adversely affect the service life of the pump and the oil.

Safe operation even for the most demanding applications

Thanks to the materials used, the Pascal 2021 HW also resists aggressive chemicals such as hydrogen peroxide. The pump is ready to deliver vapor in just a few minutes due to a customized temperature management. It has a safety device that impedes the ingress of water into functional sections if the steam capacity is inadvertently exceeded. The entire Pascal series is known for its outstanding vacuum performance.

Flexible and adaptable

With accessories such as oil mist filter and inlet traps, the pump can be ideally adapted to most processes. Thanks to its compactness, the Pascal 2021 HW is also ideal for installation into equipment. An oil drain valve simplifies the maintenance in confined spaces. The single-phase universal motor allows for operation almost everywhere in the world. The proven service concept of the Pascal series makes maintenance predictable and ensures a constantly high availability. The maintenance intervals can be extended by using different operating fluids. Contact us, we will be happy to advise you!

Customer benefits

- Highest vapor capacity in its class
- Ideal for working with aggressive gases
- Operates even under difficult conditions, such as short cycle times

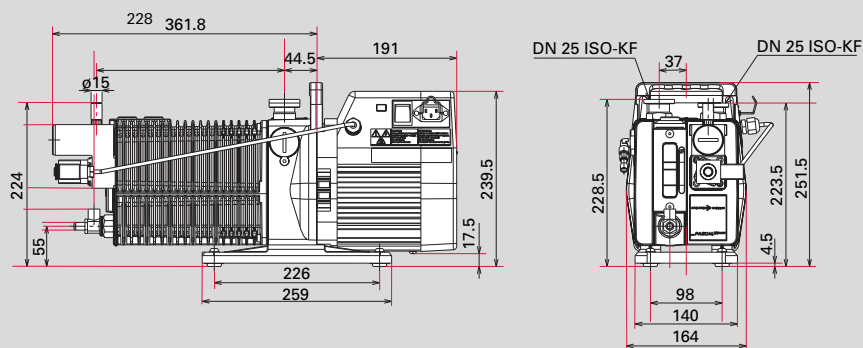
Applications

- Freeze drying
- Vacuum drying
- Chemical laboratories
- Sterilization
- Load locks



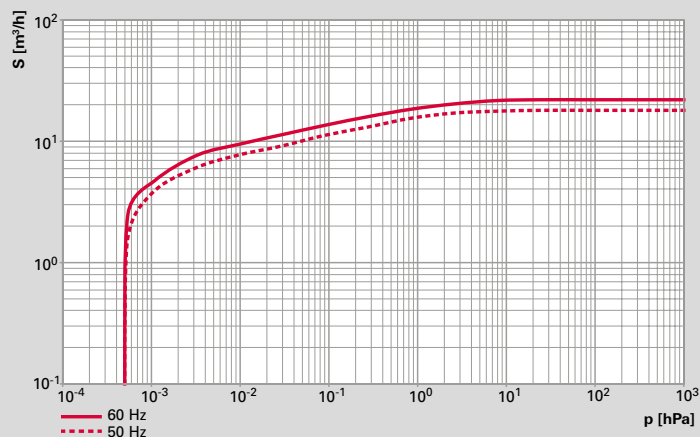
Pascal 2021 HW with
oil mist filter OME 25HP+

Dimensions



Dimensions in mm

Pumping speed



Technical data

	Pascal 2021 HW 90 – 132 V	Pascal 2021 HW 180 – 254 V
Flange (in)	DN 25 ISO-KF	DN 25 ISO-KF
Flange (out)	DN 25 ISO-KF	DN 25 ISO-KF
Mains power connection: Voltage 50/60 Hz	90 – 132 V	180 – 254 V
Mains cable	No	No
Motor version	1-phase motor	1-phase motor
Motor for region	Japan, USA	Asia, Europe
Operating fluids	Mineral oil	Mineral oil
Final pressure with gas ballast ¹⁾	$1 \cdot 10^{-2}$ hPa	$1 \cdot 10^{-2}$ hPa
Final pressure without gas ballast ¹⁾	$5 \cdot 10^{-4}$ hPa	$5 \cdot 10^{-4}$ hPa
Operating fluid quantity	0.98 l	0.98 l
Emission sound pressure level 50 Hz	< 55 dB(A)	< 55 dB(A)
Pumping speed 50 Hz	18 m ³ /h	18 m ³ /h
Pumping speed 60 Hz	22 m ³ /h	22 m ³ /h
Rated power 50 Hz	0.45 kW	0.45 kW
Rated power 60 Hz	0.55 kW	0.55 kW
Rotation speed at 50 Hz	1.500 min ⁻¹	1.500 min ⁻¹
Rotation speed at 60 Hz	1.800 min ⁻¹	1.800 min ⁻¹
Ambient temperature	12–45 °C	12–45 °C
Weight	28 kg	28 kg
Water vapor capacity 50 Hz	380 g/h	380 g/h
Water vapor capacity 60 Hz	380 g/h	380 g/h
Water vapor tolerance at 50 Hz	30 hPa	30 hPa
Water vapor tolerance at 60 Hz	30 hPa	30 hPa

¹⁾Typical final pressure according to PNEUROP

Order numbers

Order number		
Pascal 2021 HW	221HWALZT	221HWAH2T

VACUUM SOLUTIONS FROM A SINGLE SOURCE

Pfeiffer Vacuum stands for innovative and custom vacuum solutions worldwide, technological perfection, competent advice and reliable service.

COMPLETE RANGE OF PRODUCTS

From a single component to complex systems:

We are the only supplier of vacuum technology that provides a complete product portfolio.

COMPETENCE IN THEORY AND PRACTICE

Benefit from our know-how and our portfolio of training opportunities!

We support you with your plant layout and provide first-class on-site service worldwide.

Are you looking for a
perfect vacuum solution?
Please contact us:

Pfeiffer Vacuum GmbH
Headquarters · Germany
T +49 6441 802-0

www.pfeiffer-vacuum.com