

UnoLine™ Plus



A Rugged Rotary Vane Pump.

For Harshest Industrial Use.

PFEIFFER  **VACUUM**

The workhorse for industrial vacuum applications

The UnoLine™ Plus is an optimum solution for industrial applications. This rotary vane pump has a proven track record for highest reliability as both a stand-alone pump and as a backing pump for Pfeiffer Vacuum Roots pumps.

This is a water-cooled pump that is extremely resistant to dust and dirt. It is equipped with an oil regeneration system. This enables condensate, dirt

and dust particles to be removed from the operating fluid, collected in the vapor separator and then drained. The adjustable cooling water regulating valve keeps the UnoLine™ Plus at the required operating temperature. The pumps are equipped with a gas ballast system for pumping off vapors.

UnoLine™ Plus – The workhorse that offers extremely high vapor capacity!

Proven in any number of fields



Metallurgy



Vacuum furnaces



Transformer drying

Advantages at a glance

- ▶ Rugged and long-lasting
- ▶ Resistant to dust and dirt
- ▶ Bearings not in contact with process vapors/gases
- ▶ Extremely low speed
- ▶ Very high water vapor capacity
- ▶ Cooling water controller for ideal temperature control
- Low cost of ownership
- Maximum process compatibility
- Highest reliability
- Maximum service life time
- Best suitable for drying processes
- Optimum process adaption

Applications

- ▶ Transformer drying
- ▶ Cable drying
- ▶ Oil recovery
- ▶ Metallurgy
- ▶ Coating
- ▶ Chemistry and process technology

Technical data/Order numbers/Accessories

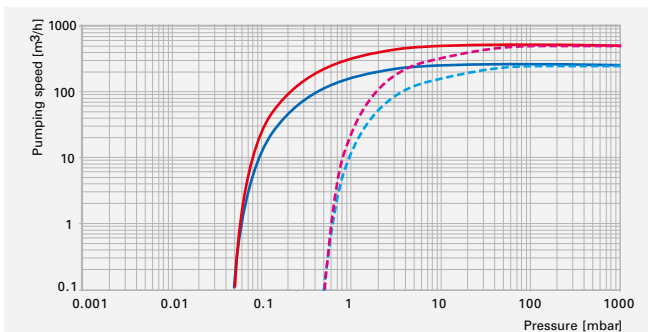
UnoLine™ Plus	BA 251		BA 501	
	50 Hz	60 Hz	50 Hz	60 Hz
Flange (in)	DN 63 ISO-F		DN 100 ISO-F	
Flange (out)	DN 63 ISO-K		DN 100 ISO-K	
Mains voltage ¹⁾	230/400 V	265/460 V	230/400 V	440/480 V
Eff. pumping speed	250 m ³ /h		500 m ³ /h	
Ultimate pressure: Total without gas ballast	< 6 · 10 ⁻² mbar		< 6 · 10 ⁻² mbar	
Ultimate pressure: Total with gas ballast	< 6 · 10 ⁻¹ mbar		< 6 · 10 ⁻¹ mbar	
Rated power	11 kW		15 kW	18 kW
Nominal rotation speed	490 1/min		345 1/min	
Water vapor tolerance	30 mbar		30 mbar	
Water vapor capacity	7,000 g/h		14,000 g/h	
Cooling water consumption	50 l/h		90 l/h	
P3 operating fluid filling	17 l		45 l	
Weight	570 kg		1,100 kg	
Order numbers	PK C42 602	PK C42 637	PK C43 602	PK C43 637

¹⁾Other voltages on request

Accessories			
Oil mist filter ONF 63/160	PK Z40 010		PK Z40 014
Condensate separator KAS 63/100	PK Z10 010		PK Z10 012
Dust filter STP 63/100	PK Z60 210		PK Z60 212
Activated carbon filter FAK 63/100	PK Z30 010		PK Z30 012
Operating fluid level control, 24 VDC		PK 133 115-T	
Cooling water connection unit		PK 133 100-T	
Pressure monitor for cooling water unit		P 4747 161 MF	
PTC resistor tripping unit		P 4768 051 FQ	
P3 operating fluid 20 l/50 l	PK 001 108-T		PK 001 109-T

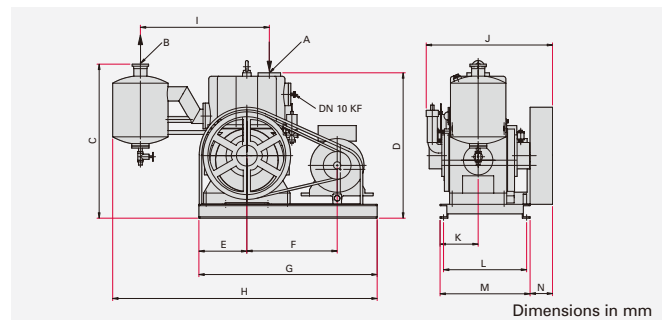
Further accessories on request

Pumping speed



- BA 251 without gas ballast
- - - BA 251 with gas ballast
- BA 501 without gas ballast
- - - BA 501 with gas ballast

Dimensions



	BA 251	BA 501	BA 251	BA 501	
A	DN 63 ISO-F	DN 100 ISO-F	H	1528	1905
B	DN 63 ISO-K	DN 100 ISO-K	I	745	890
C	890	1130	J	730	980
D	840	1070	K	220	280
E	277	310	L	480	645
F	522	715	M	520	685
G	1030	1260	N	130	200

Vacuum is nothing, but everything to us!

Pfeiffer Vacuum has been setting technological milestones for creating, measuring and analyzing vacuum for over 100 years. Our comprehensive product range covers individual components to complex vacuum systems.

Quality and service worldwide from the inventor of the turbopump: Pfeiffer is the international market leader with more than 280,000 turbopumps sold to date.

Do you have questions about your application? Please ask us.



All data subject to change without prior notice. PD 0037 PE (October 2006)

Sales, consulting and service

- ▶ Worldwide on-site service
- ▶ Comprehensive in-factory and on-site training programs
- ▶ Modular service system ranging from spare parts to maintenance contracts



Pfeiffer Vacuum · Headquarters/Germany

Phone +49 (0) 6441 802-0 · Fax +49 (0) 6441 802-202 · info@pfeiffer-vacuum.de · www.pfeiffer-vacuum.net