



# OPERATING INSTRUCTIONS

EN

Translation of the Original

## HIPACE 700 P

Turbopump

---

## Dear Customer,

Thank you for choosing a Pfeiffer Vacuum product. Your new turbopump is designed to support you by its performance, its perfect operation and without interfering your individual application. The name Pfeiffer Vacuum stands for high-quality vacuum technology, a comprehensive and complete range of top-quality products and first-class service. With this expertise, we have acquired a multitude of skills contributing to an efficient and secure implementation of our product.

Knowing that our product must not interfere with your actual work, we are convinced that our product offers you the solution that supports you in the effective and trouble-free execution of your individual application.

Please read these operating instructions before putting your product into operation for the first time. If you have any questions or suggestions, please feel free to contact [info@pfeiffer-vacuum.de](mailto:info@pfeiffer-vacuum.de).

Further operating instructions from Pfeiffer Vacuum can be found in the [Download Center](#) on our website.

## Disclaimer of liability

These operating instructions describe all models and variants of your product. Note that your product may not be equipped with all features described in this document. Pfeiffer Vacuum constantly adapts its products to the latest state of the art without prior notice. Please take into account that online operating instructions can deviate from the printed operating instructions supplied with your product.

Furthermore, Pfeiffer Vacuum assumes no responsibility or liability for damage resulting from the use of the product that contradicts its proper use or is explicitly defined as foreseeable misuse.

## Copyright

This document is the intellectual property of Pfeiffer Vacuum and all contents of this document are protected by copyright. They may not be copied, altered, reproduced or published without the prior written permission of Pfeiffer Vacuum.

We reserve the right to make changes to the technical data and information in this document.

# Table of contents

<b>1</b>	<b>About this manual</b>	<b>7</b>
1.1	Validity	7
	1.1.1 Related documents	7
	1.1.2 Variants	7
1.2	Target group	7
1.3	Conventions	7
	1.3.1 Instructions in the text	7
	1.3.2 Pictographs	8
	1.3.3 Stickers on product	8
	1.3.4 Abbreviations	9
1.4	Trademark proof	9
<b>2</b>	<b>Safety</b>	<b>10</b>
2.1	General safety information	10
2.2	Safety instructions	10
2.3	Safety precautions	14
2.4	Limits of use of product	15
2.5	Proper use	15
2.6	Foreseeable improper use	15
2.7	Personnel qualification	16
	2.7.1 Ensuring personnel qualification	16
	2.7.2 Personnel qualification for maintenance and repair	17
	2.7.3 Advanced training with Pfeiffer Vacuum	17
<b>3</b>	<b>Product description</b>	<b>18</b>
3.1	Function	18
	3.1.1 Cooling	18
	3.1.2 Rotor bearing	18
	3.1.3 Drive	18
3.2	Identifying the product	19
	3.2.1 Product types	19
	3.2.2 Product features	19
3.3	Shipment	19
<b>4</b>	<b>Transportation and Storage</b>	<b>20</b>
4.1	Transport	20
4.2	Storage	20
<b>5</b>	<b>Installation</b>	<b>21</b>
5.1	Preparatory work	21
5.2	Fastening turbopump to bottom part	21
5.3	Connecting the high vacuum side	22
	5.3.1 Designing the counter flange	22
	5.3.2 Considering earthquake protection	23
	5.3.3 Using a splinter shield or protective screen	23
	5.3.4 Using the vibration compensator	24
	5.3.5 Mounting orientations	24
	5.3.6 Attaching ISO-K flange onto ISO-K	24
	5.3.7 Attaching ISO-K flange to ISO-F	25
	5.3.8 Attaching ISO-F flange to ISO-F	26
	5.3.9 Attaching CF flange to CF-F	27
5.4	Connecting the fore-vacuum side	29
5.5	Cooling water connection	30
5.6	Connecting accessories	32
5.7	Connecting the electrical supply	32
	5.7.1 Grounding the turbopump	33

	5.7.2 Establishing electric connection	33
<b>6</b>	<b>Operation</b>	<b>35</b>
	6.1 Commissioning	35
	6.2 Operating modes	36
	6.2.1 Operating without operating unit	36
	6.2.2 Operation via multi-function connection "remote"	36
	6.2.3 Operation via connection "E74"	36
	6.2.4 Operation via Pfeiffer Vacuum control unit	36
	6.2.5 Operation via field bus	36
	6.3 Switching on the turbopump	37
	6.4 Operation monitoring	37
	6.4.1 Operating mode display via LED	37
	6.4.2 Temperature monitoring	38
	6.5 Switching off and venting	38
	6.5.1 Switching off	38
	6.5.2 Venting	38
<b>7</b>	<b>Maintenance</b>	<b>40</b>
	7.1 General maintenance information	40
	7.2 Maintenance intervals and responsibilities	40
	7.3 Replacing operating fluid reservoir	41
	7.3.1 Removing the operating fluid reservoir	41
	7.3.2 Installing the operating fluid reservoir	42
	7.4 Replacing electronic drive unit	43
	7.4.1 Removing electronic drive unit	44
	7.4.2 Installing the electronic drive unit	44
	7.4.3 Confirming speed specification	45
<b>8</b>	<b>Decommissioning</b>	<b>46</b>
	8.1 Shutting down for longer periods	46
	8.2 Recommissioning	46
<b>9</b>	<b>Recycling and disposal</b>	<b>47</b>
	9.1 General disposal information	47
	9.2 Dispose of turbopumps	47
<b>10</b>	<b>Malfunctions</b>	<b>48</b>
<b>11</b>	<b>Service solutions by Pfeiffer Vacuum</b>	<b>50</b>
<b>12</b>	<b>Spare parts HiPace 700 P</b>	<b>52</b>
<b>13</b>	<b>Accessories</b>	<b>53</b>
	13.1 Accessory information	53
	13.2 Ordering accessories	53
<b>14</b>	<b>Technical data and dimensions</b>	<b>56</b>
	14.1 General	56
	14.2 Technical data	56
	14.3 Substances in contact with the media	58
	14.4 Dimensions	58
	<b>EC Declaration of Conformity</b>	<b>60</b>
	<b>UK Declaration of Conformity</b>	<b>61</b>

## List of tables

Tbl. 1:	Abbreviations used in this document	9
Tbl. 2:	Permissible ambient conditions	15
Tbl. 3:	Product designation of Pfeiffer Vacuum HiPace turbopumps	19
Tbl. 4:	Turbopump features	19
Tbl. 5:	Requirements for fastening the turbopumps to the bottom part	22
Tbl. 6:	Requirements for the dimensioning of the customers high vacuum connection	23
Tbl. 7:	Reduction of the pumping speed when using a splinter shield or protective screen	23
Tbl. 8:	Requirements on the cooling water composition	31
Tbl. 9:	Requirements on the cooling water connection	31
Tbl. 10:	Pre-set accessory connections to electronic drive unit TC 400	32
Tbl. 11:	Factory setting of the electronic drive unit when delivered	35
Tbl. 12:	Behavior and meaning of the LEDs on the electronic drive unit	38
Tbl. 13:	Factory settings for delayed venting in turbopumps	39
Tbl. 14:	Characteristic nominal rotation speeds of the turbopumps	45
Tbl. 15:	Troubleshooting turbopumps	49
Tbl. 16:	Available spare parts	52
Tbl. 17:	HiPace 700 accessories	55
Tbl. 18:	Conversion table: Pressure units	56
Tbl. 19:	Conversion table: Units for gas throughput	56
Tbl. 20:	Technical data for HiPace 700 P   48 V	58
Tbl. 21:	Materials that make contact with the process media	58

## List of figures

Fig. 1:	Position of the stickers on the product	8
Fig. 2:	HiPace 700 design P	18
Fig. 3:	Example: Safety connections	23
Fig. 4:	Recommended alignment when using oil-sealed backing pumps	24
Fig. 5:	Flange connection ISO-K to ISO-F, bracket screws	25
Fig. 6:	Flange connection ISO-K to ISO-F, hexagon head screw and tapped hole	25
Fig. 7:	Flange connection ISO-K to ISO-F, stud screw and tapped hole	26
Fig. 8:	Flange connection ISO-K to ISO-F, stud screw and through hole	26
Fig. 9:	Flange connection ISO-F, hexagon head screw and tapped hole	27
Fig. 10:	Flange connection ISO-F, stud screw and tapped hole	27
Fig. 11:	Flange connection ISO-F, stud screw and through hole	27
Fig. 12:	Flange connection CF-F, hexagon head screw and through hole	28
Fig. 13:	Flange connection CF-F, stud screw and tapped hole	28
Fig. 14:	Flange connection CF-F, stud screw and through hole	29
Fig. 15:	Example of fore-vacuum connection on HiPace 700	30
Fig. 16:	Connecting the cooling water supply	31
Fig. 17:	Example: Connecting the grounding cable	33
Fig. 18:	Connecting electronic drive unit to power supply pack	34
Fig. 19:	Removing the operating fluid reservoir	42
Fig. 20:	Installing the operating fluid reservoir	43
Fig. 21:	Removal of electronic drive unit TC 400	44
Fig. 22:	Installation of electronic drive unit TC 400	45
Fig. 23:	Spare parts HiPace 700 P	52
Fig. 24:	Dimensions HiPace 700 P   TC 400   DN 160 ISO-K	58
Fig. 25:	Dimensions HiPace 700 P   TC 400   DN 160 CF-F	59
Fig. 26:	Dimensions HiPace 700 P   TC 400   DN 160 ISO-F	59

# 1 About this manual



## IMPORTANT

Read carefully before use.  
Keep the manual for future consultation.

## 1.1 Validity

This operating instructions is a customer document of Pfeiffer Vacuum. The operating instructions describe the functions of the named product and provide the most important information for the safe use of the device. The description is written in accordance with the valid directives. The information in this operating instructions refers to the product's current development status. The document shall remain valid provided that the customer does not make any changes to the product.

### 1.1.1 Related documents

Document	Number
Operating instructions, Electronic drive unit TC 400. standard	PT 0203 BN
Operating instructions, Electronic drive unit TC 400 PB, profibus	PT 0244 BN
Operating instructions, Electronic drive unit TC 400 E74, according to Semi E74	PT 0302 BN
Operating instructions, Electronic drive unit TC 400 DN, DeviceNet	PT 0352 BN
Operating instructions, Electronic drive unit TC 400 EC, EtherCat	PT 0452 BN
Declaration of conformity	A component of these instructions

Current documents are available from the [Pfeiffer Vacuum Download Center](#).

### 1.1.2 Variants

- HiPace 700 P, DN 160 ISO-K, TC 400, 48 V DC
- HiPace 700 P, DN 160 CF-F, TC 400, 48 V DC
- HiPace 700 P, DN 160 ISO-F, TC 400, 48 V DC

## 1.2 Target group

These operating instructions are aimed at all persons performing the following activities on the product:

- Transportation
- Setup (Installation)
- Usage and operation
- Decommissioning
- Maintenance and cleaning
- Storage or disposal

The work described in this document is only permitted to be performed by persons with the appropriate technical qualifications (expert personnel) or who have received the relevant training from Pfeiffer Vacuum.

## 1.3 Conventions

### 1.3.1 Instructions in the text

Usage instructions in the document follow a general structure that is complete in itself. The required action is indicated by an individual step or multi-part action steps.

#### Individual action step

A horizontal, solid triangle indicates the only step in an action.

- ▶ This is an individual action step.

### Sequence of multi-part action steps

The numerical list indicates an action with multiple necessary steps.

1. Step 1
2. Step 2
3. ...

### 1.3.2 Pictographs

Pictographs used in the document indicate useful information.



Note

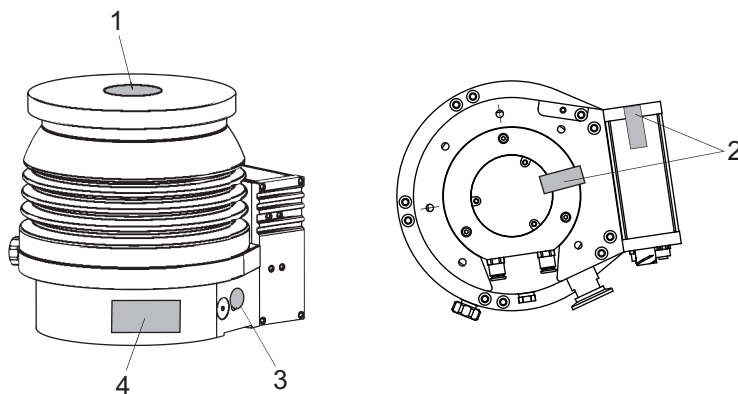


Tip

### 1.3.3 Stickers on product

This section describes all the stickers on the product along with their meanings.

<p><b>PFEIFFER</b> <b>VACUUM</b>          D-35614 Asslar Berliner Str. 43          Mod. HiPace 700 P          P/N PM PXX XXX          S/N -----          Oil PM XXX XXX -T          n, f 49200 1/min, 820 Hz          Mass 1X.X kg          Type 12 IP54          Made in Germany 2023/02</p>	<p><b>Rating plate (example)</b>          The rating plate of the turbopump is located on the lower part of the vacuum pump.</p> <p><b>Rating plate of the electronic drive unit</b>          The rating plate of the electronic drive unit is located on its outside next to the LEDs</p>
	<p><b>Operating instructions note</b>          This sticker indicates that this operating instructions must be read before performing any tasks.</p>
	<p><b>Protection class</b>          The sticker describes protection class III for the product. Its position indicates the functional earth connector.</p>
	<p><b>Warranty seal</b>          The product is sealed ex factory. Damaging or removing a warranty seal results in loss of the warranty.</p>



**Fig. 1: Position of the stickers on the product**

- |                               |   |
|-------------------------------|---|
| 1 Operating instructions note | 3 Information regarding ground connection |
| 2 Warranty seal               | 4 Rating plate of the turbopump           |



### 1.3.4 Abbreviations

Abbreviation	Meaning in this document
CF	Flange: Metal-sealed connector in accordance with ISO 3669
d	Diameter value (in mm)
DC	Direct current
DN	Nominal diameter as size description
f	Rotation speed value of a vacuum pump (frequency, in rpm or Hz)
H	High compression
HPU	Handheld Programming Unit. Aid for control and monitoring of pump parameters
HV	High vacuum flange, high vacuum side
ISO	Flange: Connection in accordance with ISO 1609 and ISO 2861
LED	Light emitting diode
PE	Protective earth (earthed conductor)
[P:xxx]	Electronic drive unit control parameters. Printed in bold as a three-digit number in square brackets. Frequently displayed in conjunction with a short description. Example: <b>[P:312]</b> software version
remote	26-pole D-Sub connecting socket on the turbopump electronic drive unit
WAF	Width Across Flats
T	Temperature (in °C)
TC	Turbopump electronic drive unit (turbo controller)
TPS	Voltage supply (turbo power supply)
VV	Fore-vacuum flange, fore-vacuum connection

Tbl. 1: Abbreviations used in this document

## 1.4 Trademark proof

- DeviceNet® is a registered trademark of Open DeviceNet Vendor Association Inc.
- Profibus® is a registered trademark of Profibus Nutzerorganisation e.V.
- EtherCAT® is a trademark and patented technology, licensed by Beckhoff Automation GmbH, Germany.

## 2 Safety

### 2.1 General safety information

The following 4 risk levels and 1 information level are taken into account in this document.

<b>⚠ DANGER</b>
<p><b>Immediately pending danger</b>                  Indicates an immediately pending danger that will result in death or serious injury if not observed.</p> <ul style="list-style-type: none"> <li>▶ Instructions to avoid the danger situation</li> </ul>

<b>⚠ WARNING</b>
<p><b>Potential pending danger</b>                  Indicates a pending danger that could result in death or serious injury if not observed.</p> <ul style="list-style-type: none"> <li>▶ Instructions to avoid the danger situation</li> </ul>

<b>⚠ CAUTION</b>
<p><b>Potential pending danger</b>                  Indicates a pending danger that could result in minor injuries if not observed.</p> <ul style="list-style-type: none"> <li>▶ Instructions to avoid the danger situation</li> </ul>

<b>NOTICE</b>
<p><b>Danger of damage to property</b>                  Is used to highlight actions that are not associated with personal injury.</p> <ul style="list-style-type: none"> <li>▶ Instructions to avoid damage to property</li> </ul>

<b>i</b>	<p>Notes, tips or examples indicate important information about the product or about this document.</p>
----------	---

### 2.2 Safety instructions

All safety instructions in this document are based on the results of the risk assessment carried out in accordance with Machinery Directive 2006/42/EC Annex I and EN ISO 12100 Section 5. Where applicable, all life cycle phases of the product were taken into account.

#### Risks during transport

<b>⚠ WARNING</b>
<p><b>Danger of serious injury due to falling objects</b>                  Due to falling objects there is a risk of injuries to limbs through to broken bones.</p> <ul style="list-style-type: none"> <li>▶ Take particular care and pay special attention when transporting products manually.</li> <li>▶ Do not stack the products.</li> <li>▶ Wear protective equipment, e.g. safety shoes.</li> </ul>

## Risks during installation

**⚠ DANGER****Danger to life from electric shock**

Power supply packs that are not specified or are not approved will lead to severe injury to death.

- ▶ Make sure that the power supply pack meets the requirements for double isolation between mains input voltage and output voltage, in accordance with IEC 61010-1 IEC 60950-1 and IEC 62368-1.
- ▶ Make sure that the power supply pack meets the requirements in accordance with IEC 61010-1 IEC 60950-1 and IEC 62368-1.
- ▶ Where possible, use original power supply packs or only power supply packs that correspond with the applicable safety regulations.

**⚠ WARNING****Risk of danger to life through missing mains disconnection device**

The vacuum pump and electronic drive unit are **not** equipped with a mains disconnection device (mains switch).

- ▶ Install a mains disconnection device according to SEMI-S2.
- ▶ Install a circuit breaker with an interruption rating of at least 10,000 A.

**⚠ WARNING****Risk of injury due to incorrect installation**

Dangerous situations may arise from unsafe or incorrect installation.

- ▶ Do not carry out your own conversions or modifications on the unit.
- ▶ Ensure the integration into an Emergency Off safety circuit.

**⚠ WARNING****Risk of cuts on moving, sharp-edged parts when reaching into the open high vacuum flange**

With the high vacuum flange open, access to sharp-edged parts is possible. A manual rotation of the rotor increases the danger situation. There is the risk of cuts, up to the separation of body parts (e.g. fingertips). There is a risk of hair and loose clothing being drawn in. Objects falling in destroy the turbopump during subsequent operation.

- ▶ Only remove the original protective covers immediately prior to connecting the high vacuum flange.
- ▶ Do not reach into the high vacuum connection.
- ▶ Wear protective gloves during installation.
- ▶ Do not start the turbopump with open vacuum connections.
- ▶ Always carry out the mechanical installation before electrical connection.
- ▶ Prevent access to the high vacuum connection of the turbopump from the operator side (e.g. open vacuum chamber).

**⚠ WARNING****Danger to life from poisoning where toxic process media leak from damaged connections**

Sudden twisting of the turbopump in the event of a fault causes fittings to accelerate. There is the risk of damaging on-site connections (e.g., fore-vacuum line) and resulting leaks. This results in leakage of process media. In processes involving toxic media, there is a risk of injury and danger to life due to poisoning.

- ▶ Keep masses connected to the turbopump as low as possible.
- ▶ Use flexible lines to connect to the turbopump where necessary.

**⚠ WARNING**

**Risk of injury caused by the turbopump breaking away with the vibration compensator in the event of a malfunction**

Sudden jamming of the rotor generates high destructive torques in accordance with ISO 27892. When using a vibration compensator, this will probably lead to the turbopump being sheared off in use. The energy that this would release could throw the entire turbopump or shattered pieces from its interior through the surrounding space. Potentially dangerous gases can escape. There is a risk of very serious injuries, including death, and extensive property damage.

- ▶ Take suitable safety precautions on-site for the compensation of the occurring torques.
- ▶ Before installing a vibration compensator, you must first of all contact Pfeiffer Vacuum.

**⚠ WARNING**

**Danger of cut injuries from unexpected start up.**

The use of mating plugs of the electronic drive unit (accessories) enables the automatic run-up of the vacuum pump as soon the power is turned on. Attaching mating plugs before or during the installation leads to the movement of parts hence the risk of cut injuries by sharp-edged in the exposed high vacuum flange.

- ▶ Only connect mating plugs after the mechanical installation.
- ▶ Only switch on the vacuum pump immediately prior to operation.

**Risks during operation**

**⚠ WARNING**

**Risk of burns on hot surfaces when using additional equipment for heating during operation**

The use of additional equipment for heating the vacuum pump or for optimizing the process generates very high temperatures on surfaces that can be touched. There is a risk of burning.

- ▶ If necessary, set up a contact guard.
- ▶ If necessary, apply the warning stickers provided for this at the danger points.
- ▶ Ensure adequate cooling down before working on the vacuum pump or in its vicinity.
- ▶ Wear protective equipment, e.g., gloves.

**⚠ WARNING**

**Risk of serious injury in the event of vacuum pump destruction due to over pressure**

Gas entry with very high over pressure results in destruction of the vacuum pump. There is a risk of serious injury due to ejected objects.

- ▶ Never exceed the permissible 1500 hPa (absolute) inlet pressure on the suction side or the venting and sealing gas connection.
- ▶ Make sure that high, process-related over pressures cannot directly enter the vacuum pump.

**⚠ CAUTION**

**Risk of injuries due to contact with vacuum when venting**

While venting the vacuum pump there is a risk of minor injuries due to the direct contact of body parts with the vacuum, e.g. hematomas.

- ▶ Do not fully unscrew the venting screw out of the housing during venting.
- ▶ Keep a distance from automatic venting device, such as venting valves.

## Risks during maintenance, decommissioning and disposal

### **WARNING**

#### **Danger to life from electric shock during maintenance and service work**

The device is only completely de-energized when the mains plug has been disconnected and the turbopump is at a standstill. There is a danger to life from electric shock when making contact with live components.

- ▶ Before performing all work, switch off the main switch.
- ▶ Wait until the turbopump comes to a standstill (rotation speed  $f = 0$ ).
- ▶ Remove the mains plug from the device.
- ▶ Secure the device against unintentional restarting.

### **WARNING**

#### **Health hazard through poisoning from toxic contaminated components or devices**

Toxic process media result in contamination of devices or parts of them. During maintenance work, there is a risk to health from contact with these poisonous substances. Illegal disposal of toxic substances causes environmental damage.

- ▶ Take suitable safety precautions and prevent health hazards or environmental pollution by toxic process media.
- ▶ Decontaminate affected parts before carrying out maintenance work.
- ▶ Wear protective equipment.

### **WARNING**

#### **Risk of cuts on moving, sharp-edged parts when reaching into the open high vacuum connection**

Incorrect handling of the turbopump before maintenance work results in hazardous situations with risk of injury. There is a risk of cuts from accessing sharp-edged, rotating parts when removing the turbopump.

- ▶ Wait until the turbopump comes to a standstill (rotation speed  $f = 0$ ).
- ▶ Switch the turbopump off properly.
- ▶ Secure the turbopump against re-start.
- ▶ Seal open connections immediately following removal, using the original protective cover.

### **WARNING**

#### **Risk of poisoning from contact with harmful substances**

The operating fluid reservoir and parts of the turbopump may contain toxic substances from pumped media.

- ▶ Decontaminate affected parts before carrying out maintenance work.
- ▶ Prevent health hazards or environmental impacts with adequate safety precautions.
- ▶ Observe the operating fluid safety data sheet.
- ▶ Dispose of the operating fluid reservoir according to applicable regulations.

## Risks in the event of malfunctions

### **WARNING**

#### **Danger to life from electric shock in the event of a fault**

In the event of a fault, devices connected to the mains may be live. There is a danger to life from electric shock when making contact with live components.

- ▶ Always keep the mains connection freely accessible so you can disconnect it at any time.

**⚠ WARNING**

**Danger to life from the turbopump breaking away in the event of a fault**

Sudden jamming of the rotor generates high destructive torques in accordance with ISO 27892. If the turbopump is **not** properly secured, it can shear off. The energy that this would release could throw the entire turbopump or shattered pieces from its interior through the surrounding space. Potentially dangerous gases can escape. There is a risk of very serious injuries, including death, and extensive property damage.

- ▶ Follow the installation instructions for this turbopump.
- ▶ Observe the requirements regarding stability and design of the counter flange.
- ▶ Use only original accessories or fixing material approved by Pfeiffer Vacuum for the installation.

**⚠ WARNING**

**Danger to life from poisoning where toxic process media leak from damaged connections**

Sudden twisting of the turbopump in the event of a fault causes fittings to accelerate. There is the risk of damaging on-site connections (e.g., fore-vacuum line) and resulting leaks. This results in leakage of process media. In processes involving toxic media, there is a risk of injury and danger to life due to poisoning.

- ▶ Keep masses connected to the turbopump as low as possible.
- ▶ Use flexible lines to connect to the turbopump where necessary.

**⚠ WARNING**

**Risk of injury caused by the turbopump breaking away with the vibration compensator in the event of a malfunction**

Sudden jamming of the rotor generates high destructive torques in accordance with ISO 27892. When using a vibration compensator, this will probably lead to the turbopump being sheared off in use. The energy that this would release could throw the entire turbopump or shattered pieces from its interior through the surrounding space. Potentially dangerous gases can escape. There is a risk of very serious injuries, including death, and extensive property damage.

- ▶ Take suitable safety precautions on-site for the compensation of the occurring torques.
- ▶ Before installing a vibration compensator, you must first of all contact Pfeiffer Vacuum.

### 2.3 Safety precautions

**i**

**Duty to provide information on potential dangers**

The product holder or user is obliged to make all operating personnel aware of dangers posed by this product.

Every person who is involved in the installation, operation or maintenance of the product must read, understand and adhere to the safety-related parts of this document.

**i**

**Infringement of conformity due to modifications to the product**

The Declaration of Conformity from the manufacturer is no longer valid if the operator changes the original product or installs additional equipment.

- Following the installation into a system, the operator is required to check and re-evaluate the conformity of the overall system in the context of the relevant European Directives, before commissioning that system.

**General safety precautions when handling the product**

- ▶ Observe all applicable safety and accident prevention regulations.
- ▶ Check that all safety measures are observed at regular intervals.
- ▶ Do not expose body parts to the vacuum.
- ▶ Always ensure a secure connection to the earthed conductor (PE).
- ▶ Never disconnect plug connections during operation.
- ▶ Observe the above shutdown procedures.
- ▶ Before working on the high vacuum connection, wait until the rotor has stopped completely (rotation speed  $f = 0$ ).

- ▶ Never put the device into operation with the high vacuum connection open.
- ▶ Keep lines and cables away from hot surfaces ( $> 70^{\circ}\text{C}$ ).
- ▶ Never fill or operate the unit with cleaning agents or cleaning agent residues.
- ▶ Do not carry out your own conversions or modifications on the unit.
- ▶ Observe the unit protection class prior to installation or operation in other environments.

## 2.4 Limits of use of product

Installation location	Weatherproof (internal space)
Air pressure	530 hPa to 1060 hPa
Installation altitude	Max. 5000 m
Rel. air humidity	max. 80%, at $T < 31^{\circ}\text{C}$ , up to max. 50% at $T < 40^{\circ}\text{C}$
Protection class	III
Overvoltage category	II
Permissible protection degree	IP54 Type 12 according to UL 50E
Degree of pollution	2
Ambient temperature	$5^{\circ}\text{C}$ to $35^{\circ}\text{C}$ with air cooling $5^{\circ}\text{C}$ to $40^{\circ}\text{C}$ with water cooling
Permissible surrounding magnetic field	6 mT
Maximum irradiated thermal output	4.2 W
Maximum permissible rotor temperature of the turbopump	$90^{\circ}\text{C}$
Maximum permissible bakeout temperature at the high vacuum flange	$120^{\circ}\text{C}$

**Tbl. 2: Permissible ambient conditions**



### Notes on ambient conditions

The specified permissible ambient temperatures apply to operation of the turbopump at maximum permissible backing pressure or at maximum gas throughput, depending on the cooling type. The turbopump is intrinsically safe thanks to redundant temperature monitoring.

- The reduction in backing pressure or gas throughput permits operation of the turbopump at higher ambient temperatures.
- If the maximum permissible operating temperature of the turbopump is exceeded, the electronic drive unit first reduces the drive output and then switches it off where necessary.

## 2.5 Proper use

- ▶ Use the turbopump only for generating vacuum.
- ▶ Use the turbopump only in combination with a suitable backing pump that can deliver up to the required maximum fore-vacuum pressure.
- ▶ Use the turbopump only in closed indoor areas.
- ▶ Use the turbopump only for the evacuation of dry and inert gases.
- ▶ Use the turbopump for the evacuation of corrosive gases only in conjunction with sealing gas.

## 2.6 Foreseeable improper use

Improper use of the product invalidates all warranty and liability claims. Any use that is counter to the purpose of the product, whether intentional or unintentional, is regarded as misuse.

- Transport, installation or operation of the vacuum pump in an impermissible spatial position
- Establishing the voltage supply without correct installation
- Installing the pump with unspecified mounting material
- Pumping explosive media

- Pumping corrosive media without using sealing gas
- Pumping dust without using sealing gas
- Pumping of fluids
- Operating with impermissible high gas throughput
- Operating with impermissible high fore-vacuum pressure
- Operating with excessive irradiated heat output
- Operating in impermissible high magnetic fields
- Operating in an incorrect gas mode
- Venting with impermissible high venting rates
- Using for pressure generation
- Using in areas with ionizing radiation
- Operation in potentially explosive areas
- Using in systems in which sporadic loads and vibrations or periodic forces act on the device
- Causing of hazardous operating conditions by a presetting on the electronic drive unit that is contrary to the process
- Using of accessories or spare parts that are not listed in these instructions

## 2.7 Personnel qualification

The work described in this document may only be carried out by persons who have appropriate professional qualifications and the necessary experience or who have completed the necessary training as provided by Pfeiffer Vacuum.

### Training people

1. Train the technical personnel on the product.
2. Only let personnel to be trained work with and on the product when under the supervision of trained personnel.
3. Only allow trained technical personnel to work with the product.
4. Before starting work, make sure that the commissioned personnel have read and understood these operating instructions and all applicable documents, in particular the safety, maintenance and repair information.

### 2.7.1 Ensuring personnel qualification

#### Specialist for mechanical work

Only a trained specialist may carry out mechanical work. Within the meaning of this document, specialists are people responsible for construction, mechanical installation, troubleshooting and maintenance of the product, and who have the following qualifications:

- Qualification in the mechanical field in accordance with nationally applicable regulations
- Knowledge of this documentation

#### Specialist for electrotechnical work

Only a trained electrician may carry out electrical engineering work. Within the meaning of this document, electricians are people responsible for electrical installation, commissioning, troubleshooting, and maintenance of the product, and who have the following qualifications:

- Qualification in the electrical engineering field in accordance with nationally applicable regulations
- Knowledge of this documentation

In addition, these individuals must be familiar with applicable safety regulations and laws, as well as the other standards, guidelines, and laws referred to in this documentation. The above individuals must have an explicitly granted operational authorization to commission, program, configure, mark, and earth devices, systems, and circuits in accordance with safety technology standards.

#### Trained individuals

Only adequately trained individuals may carry out all works in other transport, storage, operation and disposal fields. Such training must ensure that individuals are capable of carrying out the required activities and work steps safely and properly.



## 2.7.2 Personnel qualification for maintenance and repair



### Advanced training courses

Pfeiffer Vacuum offers advanced training courses to maintenance levels 2 and 3.

Adequately trained individuals are:

- **Maintenance level 1**
  - Customer (trained specialist)
- **Maintenance level 2**
  - Customer with technical education
  - Pfeiffer Vacuum service technician
- **Maintenance level 3**
  - Customer with Pfeiffer Vacuum service training
  - Pfeiffer Vacuum service technician

## 2.7.3 Advanced training with Pfeiffer Vacuum

For optimal and trouble-free use of this product, Pfeiffer Vacuum offers a comprehensive range of courses and technical trainings.

For more information, please contact [Pfeiffer Vacuum technical training](#).

## 3 Product description

### 3.1 Function

The turbopump forms a compact unit with the electronic drive unit. Pfeiffer Vacuum power supply packs provide the voltage supply.

The feature description "P" designates turbopumps suitable for the process. They are insensitive against dust and corrosive gases.

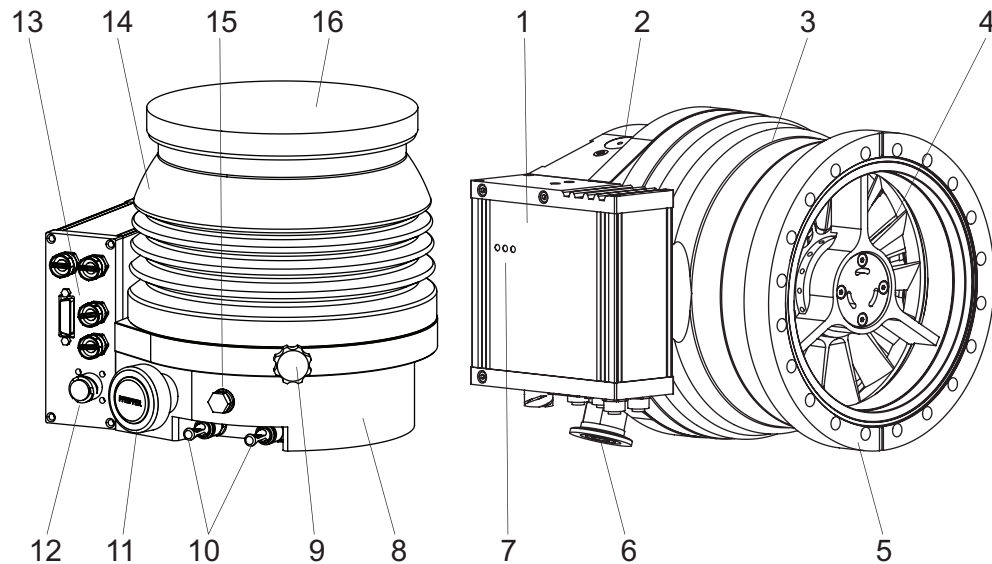


Fig. 2: HiPace 700 design P

- |  |  |
|--|--|
| 1 Electronic drive unit TC 400         | 9 Venting screw                                  |
| 2 Ground terminal                      | 10 Connection coupling for cooling water         |
| 3 Pump housing, stainless steel        | 11 Protective cap for the fore vacuum connection |
| 4 Turbo rotor                          | 12 Connecting plug for voltage supply DCin       |
| 5 High vacuum connection, DN 160 CF-F  | 13 Connection panel of the electronic drive unit |
| 6 Fore-vacuum connection, DN 25 ISO-KF | 14 Pump housing, aluminum                        |
| 7 LED operating mode display           | 15 Sealing gas connection                        |
| 8 Pump bottom part                     | 16 Protective cap for the high vacuum connection |

#### 3.1.1 Cooling

- Water cooling
- Air cooling (optional)

The electronic drive unit automatically regulates the drive power down in the event of excessive temperatures.

#### 3.1.2 Rotor bearing

Hybrid-bearing turbopump

- High vacuum side: wear-free permanent magnetic bearing
- Fore-vacuum side: ball bearing with ceramic balls

Permanent lubrication of the rotor bearing on the fore-vacuum side is ensured by an operating fluid reservoir.

#### 3.1.3 Drive

- Electronic drive unit TC 400
  - Operating voltage 48 V DC

## 3.2 Identifying the product

- ▶ To ensure clear identification of the product when communicating with Pfeiffer Vacuum, always keep all of the information on the rating plate to hand.
- ▶ Learn about certifications through test seals on the product or at [www.certipedia.com](http://www.certipedia.com) with company ID no. [000021320](http://www.certipedia.com).

### 3.2.1 Product types

The product designation of Pfeiffer Vacuum turbopumps from the HiPace series is composed of the family name, the size (which is based on the pumping speed of the vacuum pump) and, if required, an additional feature description.

Family	Size/model	Property, attribute, feature
HiPace	10 to 2800	<b>none</b> = Standard version
		<b>mini</b> = Compact version
		<b>U</b> = Overhead version
		<b>C</b> = Corrosive gas version
		<b>P</b> = Process
		<b>M</b> = Active magnetic bearing
		<b>T</b> = Temperature management
		<b>Plus</b> = Low vibration, low magnetic field
		<b>E</b> = High efficiency
		<b>H</b> = High compression
		<b>I</b> = Ion implantation

Tbl. 3: Product designation of Pfeiffer Vacuum HiPace turbopumps

### 3.2.2 Product features

Feature	Version		
	<b>HV flange</b>	DN 160 ISO-K	DN 160 ISO-F
<b>Flange material</b>	Aluminium	Aluminium	Stainless steel

Tbl. 4: Turbopump features

## 3.3 Shipment

- Turbopump with electronic drive unit
- Protective cover for the high vacuum connection
- Protective cover for the fore-vacuum connection
- Mating plug for the "*remote*" connection to the TC 400 (type-dependent)
- Mating plug for the "*E74*" connection to the TC 400 (type-dependent)
- Operating instructions

## 4 Transportation and Storage

### 4.1 Transport

#### **WARNING**

##### **Danger of serious injury due to falling objects**

Due to falling objects there is a risk of injuries to limbs through to broken bones.

- ▶ Take particular care and pay special attention when transporting products manually.
- ▶ Do not stack the products.
- ▶ Wear protective equipment, e.g. safety shoes.



#### **Recommendation**

Pfeiffer Vacuum recommends keeping the transport packaging and original protective cover.

#### **Safe transport of the product**

- ▶ Transport the turbopump only within the permissible temperature limits.
- ▶ Observe weight specified on the rating plate.
- ▶ Where possible, always transport or ship the turbopump in its original packaging.
- ▶ Always carry the turbopump with both hands.
- ▶ Remove the protective cover only immediately prior to installation.

### 4.2 Storage



#### **We recommend**

Pfeiffer Vacuum recommends storing the products in their original transport packaging.

#### **Storing the turbopump**

1. Seal all flange openings with the original protective caps.
2. Seal all other connections (e.g. venting connection) with the corresponding original parts.
3. Store the turbopump only indoors within the permissible temperature limits.
4. In rooms with humid or aggressive atmospheres: Hermetically seal the turbopump together with a drying agent in a plastic bag.

## 5 Installation

The installation of the turbopump and its fastening is of outstanding importance. The rotor of the turbopump revolves at very high speed. In practice it is not possible to exclude the risk of the rotor touching the stator (e.g. due to the penetration of foreign bodies into the high vacuum connection). The kinetic energy released acts on the housing and on the anchoring of the turbopump within fractions of a second.

Comprehensive tests and calculations conforming to ISO 27892 confirm the safety of the turbopump both against crashes (destruction of the rotor blades) and against bursting (breakage of the rotor shaft). The experimental and theoretical results are expressed in safety measures and recommendations for the correct and safe fastening of the turbopump.

### 5.1 Preparatory work

#### WARNING

##### **Risk of cuts on moving, sharp-edged parts when reaching into the open high vacuum flange**

With the high vacuum flange open, access to sharp-edged parts is possible. A manual rotation of the rotor increases the danger situation. There is the risk of cuts, up to the separation of body parts (e.g. fingertips). There is a risk of hair and loose clothing being drawn in. Objects falling in destroy the turbopump during subsequent operation.

- ▶ Only remove the original protective covers immediately prior to connecting the high vacuum flange.
- ▶ Do not reach into the high vacuum connection.
- ▶ Wear protective gloves during installation.
- ▶ Do not start the turbopump with open vacuum connections.
- ▶ Always carry out the mechanical installation before electrical connection.
- ▶ Prevent access to the high vacuum connection of the turbopump from the operator side (e.g. open vacuum chamber).

#### **General notes for the installation of vacuum components**

- ▶ Choose an installation location that permits access to the product and to supply lines at all times.
- ▶ Observe the ambient conditions given for the limits of use.
- ▶ Provide the highest possible level of cleanliness during assembly.
- ▶ Ensure that flange components during installation are grease-free, dust-free and dry.

#### **Select the installation location**

1. Observe the instructions for transport to the installation location.
2. Make sure that there are sufficient cooling options for the turbopump.
3. Install suitable shielding if the surrounding magnetic fields exceed the permissible levels.
4. Install suitable shielding so that the irradiated thermal output does not exceed the permissible values when high temperatures occur due to the process.
5. Observe the permissible temperatures for the vacuum connection.

### 5.2 Fastening turbopump to bottom part

#### **NOTICE**

##### **Damage to the vacuum pump due to force acting on the high vacuum side**

When fastened to the pump bottom part and simultaneously attached to the high vacuum side with a rigid pipe connection, there is risk of reactive forces acting on the turbopump. This can produce mechanical loads up to and including destruction of the turbopump.

- ▶ Create a flexible connection to the high vacuum flange.
- ▶ Observe the requirements for fastening the turbopump to the bottom part.
- ▶ If the rotor blocks suddenly, make sure that all the torques generated are absorbed by the mounting plate on the operator side.

**Required aids**

- Hole circle in accordance with the dimensions of the turbopump
- Fixing screws, strength class  $\geq 8.8$ , galvanized
- Washer, DIN EN ISO 7090 or DIN EN ISO 7092
- Mounting plate supplied by the customer

**Required tools**

- Allen key, **WAF 6**
- Wrench, alternative for DIN 933 hexagon head screws
- Calibrated torque wrench (tightening factor  $\leq 1.6$ )

**Fastening turbopump to bottom part**

1. Remove existing plastic plugs from the pump bottom part.
2. Place the turbopump upright on the mounting plate.
3. Bolt the pump bottom part to the mounting plate with the required number of permissible fixing screws and washers.
  - Observe the specified screw-in depth.
  - Observe the permissible tightening torque.

Turbopump	Mounting plate Minimum thickness   Tensile strength	Thread size	Quantity	Screw-in depth	Tightening tor- que
HiPace 350 HiPace 400 HiPace 450 HiPace 700 HiPace 800	3 mm   $> 270$ MPa	M8	6	$\geq 1.3 \times d$	25 Nm $\pm 10$ %

**Tbl. 5: Requirements for fastening the turbopumps to the bottom part**

### 5.3 Connecting the high vacuum side

#### 5.3.1 Designing the counter flange

<b>NOTICE</b>	
<b>Risk of damage due to incorrect counter flange design</b>	
Unevenness on the operator-side counter flange results in stresses in the vacuum pump housing, even when properly attached. This can produce leakage or negative changes in running characteristics.	
<ul style="list-style-type: none"> <li>▶ Adhere to the shape tolerances for the counter flange.</li> <li>▶ Observe the maximum flatness deviations over the entire surface.</li> </ul>	

<b>i</b>	<p><b>Superstructural parts and fittings on the high vacuum connection</b></p> <p>Installing superstructural parts and fittings to the high vacuum connection is the responsibility of the operating company. The loading capacity of the high vacuum flange is specific for the turbopump used.</p> <ul style="list-style-type: none"> <li>• The total weight of superstructural parts must not exceed the maximum axial values specified.</li> <li>• Make sure that all the torques generated if the rotor blocks suddenly, are absorbed by the system on the operator side and the high vacuum connection.</li> <li>• Only use the approved mounting kits of Pfeiffer Vacuum for the high vacuum connection of the turbopump.</li> </ul>
----------	---

Parameter	HiPace 700
Maximum torque occurring in the event of a burst <sup>1)</sup>	4200 Nm
Maximum permissible axial load on the high vacuum flange <sup>2)</sup>	1000 N (equivalent to 100 kg)

Parameter	HiPace 700
Flatness	± 0.05 mm
Minimum tensile strength of the flange material in all operating states in relation to the engagement depth of the fixing screws	170 N/mm <sup>2</sup> at 2.5 × d 270 N/mm <sup>2</sup> at 1.5 × d
Maximum permissible surrounding magnetic field	6.0 mT
Maximum permissible irradiated thermal output	4.2 W
Maximum permissible rotor temperature	90 °C

Tbl. 6: Requirements for the dimensioning of the customers high vacuum connection

### 5.3.2 Considering earthquake protection

**NOTICE**

**Vacuum pump damage caused by external vibrations**

In the event of earthquakes or other external vibrations, there is the risk of the rotor coming into contact with the safety bearings, or the housing wall touching the turbopump. This can produce mechanical loads up to and including destruction of the turbopump.

- ▶ Make sure that all flange and safety connections absorb the resulting forces.
- ▶ Secure the vacuum chamber against displacement or tipping.

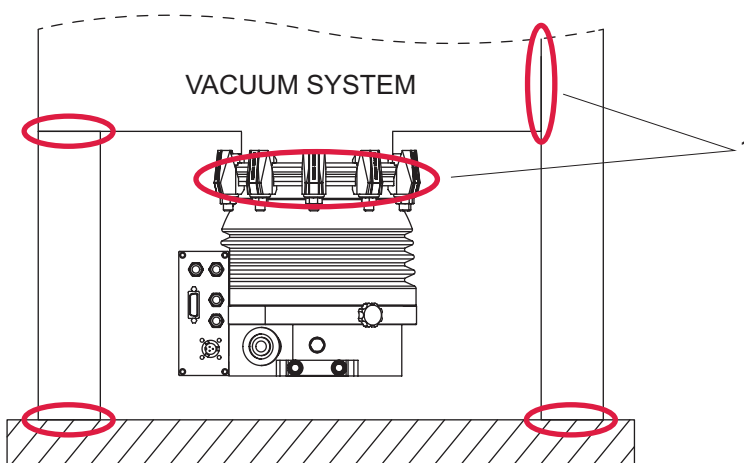


Fig. 3: Example: Safety connections

1 Safety connections, customer-side

### 5.3.3 Using a splinter shield or protective screen

Pfeiffer Vacuum centering rings with splinter shield or protective screen in the high vacuum flange protect the turbopump against foreign matter from the vacuum chamber. The pumping speed of the turbopump reduces according to the passage guide values and the size of the high vacuum flange.

Flange size	Reduced pumping speed in % by gas type			
	H <sub>2</sub>	He	N <sub>2</sub>	Ar
Splinter shield DN 160	6	9	20	23
Protective screen DN 160	1	2	6	7

Tbl. 7: Reduction of the pumping speed when using a splinter shield or protective screen

▶ With ISO flanges, use centering rings with protective screen or splinter shield.

- 1) The theoretically calculated torque in the event of a burst (rotor shaft breakage) according to ISO 27892 was not reached in any experimental test.
- 2) A one-sided load is not permitted.

### 5.3.4 Using the vibration compensator

**⚠ WARNING**

**Risk of injury caused by the turbopump breaking away with the vibration compensator in the event of a malfunction**

Sudden jamming of the rotor generates high destructive torques in accordance with ISO 27892. When using a vibration compensator, this will probably lead to the turbopump being sheared off in use. The energy that this would release could throw the entire turbopump or shattered pieces from its interior through the surrounding space. Potentially dangerous gases can escape. There is a risk of very serious injuries, including death, and extensive property damage.

- ▶ Take suitable safety precautions on-site for the compensation of the occurring torques.
- ▶ Before installing a vibration compensator, you must first of all contact Pfeiffer Vacuum.

Pfeiffer Vacuum vibration compensators are suitable for use on vibration-sensitive systems.

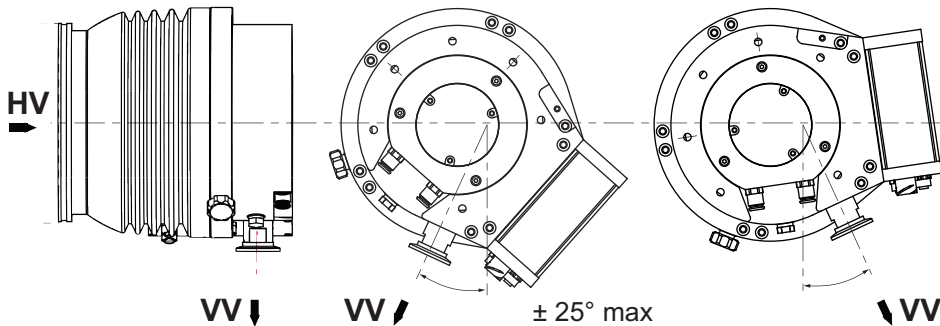
**Installing the vibration compensator**

1. Install the vibration compensator only with vertical passage.
2. Consider the flow resistance.
3. Secure the turbopump additionally to the high vacuum flange.
4. Observe the fastening of the ISO flanges.

### 5.3.5 Mounting orientations

Pfeiffer Vacuum turbopumps of the HiPace series are suitable for use with dry compressing backing pumps for mounting in **all** orientations.

- ▶ When using oil-sealed backing pumps, avoid backflow from the fore-vacuum range.



**Fig. 4: Recommended alignment when using oil-sealed backing pumps**

**Determine a horizontal mounting orientation of the turbopump with oil-sealed backing pumps**

1. Always align the fore-vacuum connection downwards vertically.
  - Permissible deviation  $\pm 25^\circ$
2. Support the tube connections in front of the turbopump.
3. Do not allow any forces from the piping system to act on the turbopump.
4. Do not load the high vacuum flange of the turbopump on one side.

### 5.3.6 Attaching ISO-K flange onto ISO-K



**ISO flange connections**

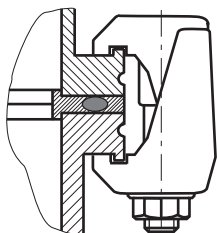
For the connection of flanges in ISO-KF or ISO-K design, twisting may occur in the event of sudden blockage of the rotor, despite correct installation.

- Leak-tightness of the flange connection, however, is not jeopardized in this regard.

**Required tools**

- Wrench, WAF 15
- Calibrated torque wrench (Tightening factor  $\leq 1.6$ )





**Fig. 5: Flange connection ISO-K to ISO-F, bracket screws**

#### Connection with bracket screw

1. For the connection of the turbopump, use only the approved mounting kits from Pfeiffer Vacuum.
2. Connect the flange with the components of the mounting kit according to the figure.
3. Use for all prescribed components for the turbopump.
4. Tighten the bracket screws cross-wise in 3 steps.
  - Tightening torque: **5, 15, 25 ± 2 Nm**

### 5.3.7 Attaching ISO-K flange to ISO-F

The connection types for ISO-K flange installation with ISO-F flange are:

- "Hexagon head screw and tapped hole"
- "Stud screw with tapped hole"
- "Stud screw with through hole"



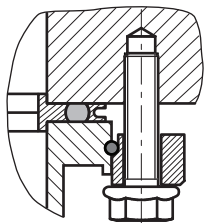
#### ISO flange connections

For the connection of flanges in ISO-KF or ISO-K design, twisting may occur in the event of sudden blockage of the rotor, despite correct installation.

- Leak-tightness of the flange connection, however, is not jeopardized in this regard.

#### Required tools

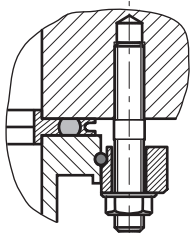
- Hexagon wrench (15 WAF)
- Calibrated torque wrench (tightening factor  $\leq 1.6$ )



**Fig. 6: Flange connection ISO-K to ISO-F, hexagon head screw and tapped hole**

#### Connection of the hexagon head screw and tapped hole

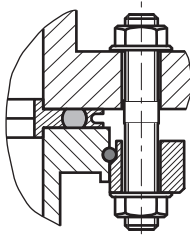
1. Only use the approved mounting kits of Pfeiffer Vacuum for the connection of the turbopump.
2. Place the collar flange over the high vacuum flange of the turbopump.
3. Insert the snap ring in the side groove on the high vacuum flange of the turbopump.
4. Attach the turbopump with collar flange, snap ring and centering ring to the counter flange according to the figure.
5. Use all prescribed components for the turbopump.
6. Screw the hexagon head screws into the tapped holes.
  - Observe the minimum tensile strength of the flange material and the screw depth.
7. Fasten the hexagon head screws cross-wise in 3 steps.
  - Tightening torque: **5, 15, 25 ± 2 Nm**



**Fig. 7: Flange connection ISO-K to ISO-F, stud screw and tapped hole**

**Connection of the stud screw and tapped hole**

1. Only use the approved mounting kits of Pfeiffer Vacuum for the connection of the turbopump.
2. Screw in the required number of stud screws with the shorter end in the holes on the counter flange.
  - Observe the minimum tensile strength of the flange material and the screw depth.
3. Place the collar flange over the high vacuum flange of the turbopump.
4. Insert the snap ring in the side groove on the high vacuum flange of the turbopump.
5. Attach the turbopump with collar flange, snap ring and centering ring to the counter flange according to the figure.
6. Use all prescribed components for the turbopump.
7. Secure the nuts cross-wise in 3 steps.
  - Tightening torque: **5, 15, 25 ± 2 Nm**



**Fig. 8: Flange connection ISO-K to ISO-F, stud screw and through hole**

**Connection of the stud screw and through hole**

1. Only use the approved mounting kits of Pfeiffer Vacuum for the connection of the turbopump.
2. Place the collar flange over the high vacuum flange of the turbopump.
3. Insert the snap ring in the side groove on the high vacuum flange of the turbopump.
4. Attach the turbopump with collar flange, snap ring and centering ring to the counter flange according to the figure.
5. Use all prescribed components for the turbopump.
6. Tighten the nuts cross-wise in 3 steps.
7. Tightening torque: **5, 15, 25 ± 2 Nm**

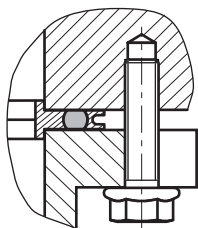
**5.3.8 Attaching ISO-F flange to ISO-F**

The connection types for ISO-F flange installation with ISO-F flange are:

- "Hexagon head screw and tapped hole"
- "Stud screw with tapped hole"
- "Stud screw with through hole"

**Required tools**

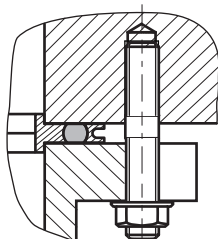
- Hexagonal wrench (15 WAF)
- Calibrated torque wrench (tightening factor ≤ 1.6)



**Fig. 9: Flange connection ISO-F, hexagon head screw and tapped hole**

#### Connection of the hexagon head screw and tapped hole

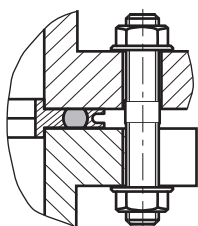
1. Only use the approved mounting kits of Pfeiffer Vacuum for the connection of the turbopump.
2. Attach the turbopump with centering ring to the counter flange according to the figure.
3. Use for all prescribed components for the turbopump.
4. Screw the required number of hexagon head screws into the tapped hole.
  - Observe the minimum tensile strength of the flange material and the screw depth.
5. Fasten the hexagon head screws cross-wise in 3 steps.
  - Tightening torque: **5, 15, 22 ± 2 Nm**



**Fig. 10: Flange connection ISO-F, stud screw and tapped hole**

#### Connection of the stud screw and tapped hole

1. Only use the approved mounting kits of Pfeiffer Vacuum for the connection of the turbopump.
2. Screw in the stud screws with the shorter end in the tapped holes on the counter flange.
  - Observe the minimum tensile strength of the flange material and the screw depth.
3. Attach the turbopump with centering ring to the counter flange according to the figure.
4. Use for all prescribed components for the turbopump.
5. Secure the hexagon nuts.
6. Tighten the nuts cross-wise in 3 steps.
  - Tightening torque: **5, 15, 22 ± 2 Nm**



**Fig. 11: Flange connection ISO-F, stud screw and through hole**

#### Connection of the stud screw and through hole

1. Only use the approved mounting kits of Pfeiffer Vacuum for the connection of the turbopump.
2. Attach the turbopump with centering ring to the counter flange according to the figure.
3. Use for all prescribed components for the turbopump.
4. Fasten the screw connections cross-wise in 3 steps.
  - Tightening torque: **5, 15, 22 ± 2 Nm**

### 5.3.9 Attaching CF flange to CF-F

The connection types for CF installation with CF flange are:

- "Hexagon head screw and through hole"
- "Stud screw with tapped hole"
- "Stud screw with through hole"

**NOTICE**

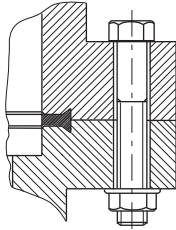
**Leaks may occur due to the incorrect installation of CF flanges**

Inadequate cleanliness when handling CF flanges and copper gaskets results in leaks and may cause process damage.

- ▶ Always wear suitable gloves before touching or fitting any components.
- ▶ Fit seals only if dry and free of grease.
- ▶ Take care of damaged surfaces and cut edges.
- ▶ Replace the damaged components.

**Required tools**

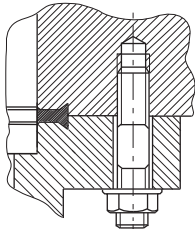
- Hexagonal wrench (13 WAF)
- Calibrated torque wrench (tightening factor  $\leq 1.6$ )



**Fig. 12: Flange connection CF-F, hexagon head screw and through hole**

**Connection of the hexagon head screw and through holes**

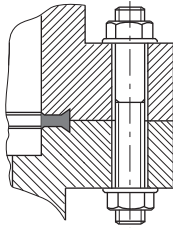
1. For the connection of the turbopump, use only the approved mounting kits from Pfeiffer Vacuum.
2. If used: Insert the protective screen or splinter shield with clamping lugs downwards in the turbopump high vacuum flange.
3. Place the seal exactly in the hollow.
4. Connect the flange with the components of the mounting kit according to the figure.
5. Tighten the screw couplings all the way around.
  - Tightening torque: **22 ± 2 Nm**
6. Then check the torque, since flowing of the sealing material may make it necessary to re-tighten the screws.



**Fig. 13: Flange connection CF-F, stud screw and tapped hole**

**Connection of the stud screw and tapped hole**

1. For the connection of the turbopump, use only the approved mounting kits from Pfeiffer Vacuum.
2. Screw in the required number of stud screws with the shorter end in the holes on the counter flange.
3. If used: Insert the protective screen or splinter shield with clamping lugs downwards in the turbopump high vacuum flange.
4. Place the seal exactly in the hollow.
5. Connect the flange with the components of the mounting kit according to the figure.
6. Tighten the screw couplings all the way around.
  - Tightening torque: **22 ± 2 Nm**
7. Then check the torque, since flowing of the sealing material may make it necessary to re-tighten the screws.



**Fig. 14: Flange connection CF-F, stud screw and through hole**

#### Connection of the stud screw and through hole

1. For the connection of the turbopump, use only the approved mounting kits from Pfeiffer Vacuum.
2. If used: Insert the protective screen or splinter shield with clamping lugs downwards in the turbopump high vacuum flange.
3. Place the seal exactly in the hollow.
4. Connect the flange with the components of the mounting kit according to the figure.
5. Tighten the screw couplings all the way around.
  - Tightening torque: **22 ± 2 Nm**
6. Then check the torque, since flowing of the sealing material may make it necessary to re-tighten the screws.

## 5.4 Connecting the fore-vacuum side

### **WARNING**

#### **Danger to life from poisoning where toxic process media leak from damaged connections**

Sudden twisting of the turbopump in the event of a fault causes fittings to accelerate. There is the risk of damaging on-site connections (e.g., fore-vacuum line) and resulting leaks. This results in leakage of process media. In processes involving toxic media, there is a risk of injury and danger to life due to poisoning.

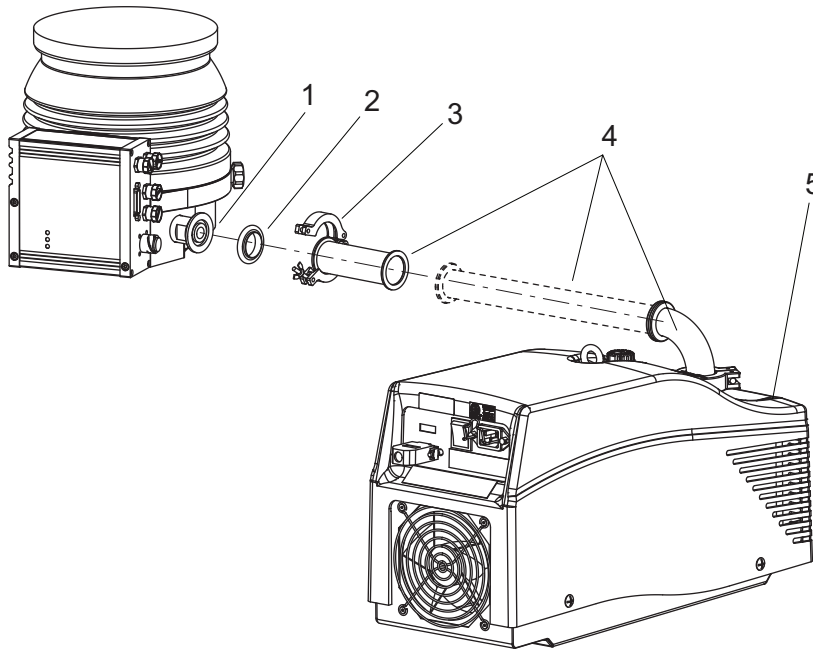
- ▶ Keep masses connected to the turbopump as low as possible.
- ▶ Use flexible lines to connect to the turbopump where necessary.



#### **Suitable backing pump**

Use the turbopump only in combination with a suitable backing pump that can deliver up to the required maximum fore-vacuum pressure. To achieve the fore-vacuum pressure, use a suitable vacuum pump or a pumping station from the Pfeiffer Vacuum range.

In this case, the backing pump is also controlled directly via the turbopump electronic drive unit interfaces (e.g., relay box or connection cable).



**Fig. 15: Example of fore-vacuum connection on HiPace 700**

- |                                    |   |
|------------------------------------|---|
| 1 Turbopump fore-vacuum connection | 4 Vacuum components DN 25 ISO-KF                    |
| 2 Centering ring                   | 5 Backing pump (e.g. multi-stage roots vacuum pump) |
| 3 Circlip                          |   |

**Establishing the fore-vacuum connection**

1. With rigid pipe connections, include bellows to attenuate external vibrations.
2. Install a fore-vacuum connection with small flange components, e.g. connection elements and pipe components DN 25 ISO-KF from the [Pfeiffer Vacuum Components Shop](#).
3. Implement measures to counteract the backflow of operating fluids or condensate from the fore-vacuum area.
4. Observe the information in the operating instructions of the backup pump or pumping station when connecting and operating it.

## 5.5 Cooling water connection

**⚠ WARNING**

**Risk of scalding from suddenly escaping hot cooling water**

The turbopump water connections are open to both sides. When connecting the cooling water supply, there is a risk of scalding from suddenly escaping, hot cooling water at over pressure.

- ▶ Prior to installation, ensure that pressure is discharged from the cooling water system, and that it is cooled down.
- ▶ Wear protective equipment, e.g., safety goggles and gloves.

**Recommendations for cooling the turbopump**

- ▶ Use additional cooling in the event of increased fore-vacuum pressure (> 0.1 hPa).
- ▶ Use additional cooling if operating with high gas throughput.
- ▶ Always use water cooling at ambient temperatures > 35 °C.

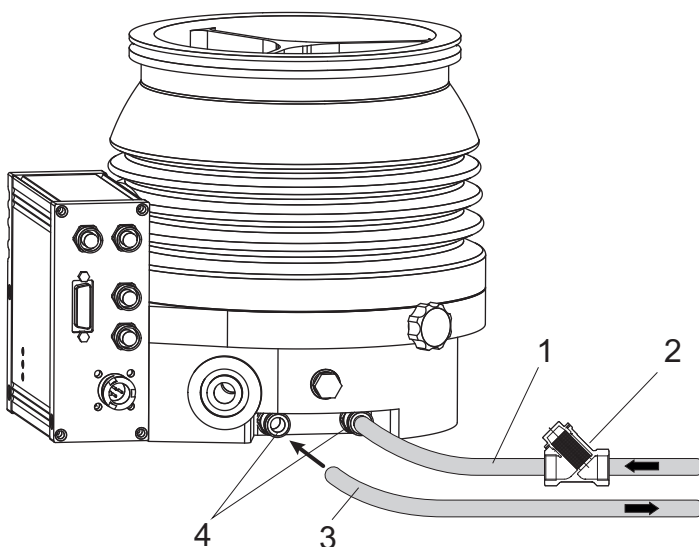
Parameter	Cooling water
Appearance	<ul style="list-style-type: none"> <li>● filtered</li> <li>● mechanically clear</li> <li>● visually clear</li> <li>● no turbidity</li> <li>● no sediment</li> <li>● free from grease and oil</li> </ul>
pH value	7 to 9

Parameter	Cooling water
Carbonate hardness, max.	10 °dH 12.53 °e 17.8 °fH 178 ppm CaCO <sub>3</sub>
Chloride content, max.	100 mg/l
Sulfate content, max.	240 mg/l
Carbonic acid content, max.	not detectable
Ammonia content, max.	not detectable
Electrical conductivity, max.	500 µS/cm
Particle size, max.	150 µm
Cooling water temperature	see "Technical data"
Cooling water flow	see "Technical data"
Cooling water pressure, max.	6000 hPa

**Tbl. 8: Requirements on the cooling water composition**

Connection to the turbopump	External cooling water supply
Banjo fitting with insertion system	Hose cable
	External hose diameter 8 mm
	Internal hose diameter 6 mm

**Tbl. 9: Requirements on the cooling water connection**



**Fig. 16: Connecting the cooling water supply**

- |             |                            |
|-------------|----------------------------|
| 1 Feed line | 3 Return line              |
| 2 Dirt trap | 4 Cooling water connection |

#### Connecting a cooling water supply

**Requirements:** The customer-side cooling system is closed and depressurized. The provided hose connections correspond to the turbopump connections.

1. If necessary, use a dirt trap in the feed line.
2. Insert the hoses for the cooling water feed line and return line as far as they will go into respective connections on the turbopump.

## 5.6 Connecting accessories



### Installation and operation of accessories

Pfeiffer Vacuum offers a series of special, compatible accessories for its products.

- Information and ordering options for approved [accessories for hybrid bearing turbopumps](#) can be found online.



### Auxiliary connection to electronic drive unit TC 400 and TM 700

The electronic drive unit of the turbopump offers space for the connection of maximum 4 accessory devices. M12 connector sockets with the designation "accessory" are available for this purpose.

- The accessory connections have been preconfigured at the factory.
- After connecting pre-configured accessory devices, these are immediately ready for operation according to the factory settings.
- The use of other accessories for turbopumps is possible and requires settings in the configuration of the electronic drive unit.
- The desired accessory output is configured via RS-485 using Pfeiffer Vacuum control units or a PC.
- For detailed information see the "Electronic drive unit TC 400" or "Electronic drive unit TC 700" operating instructions.

	Electronic drive unit connection	Accessory connection	Y-connector	Pre-set configuration
	Acc. A	A1	Y-1	Fan (continuous operation)
		A2	Y-2	Backing pump
	Acc. B	B1	Y-1	Venting valve
		B2	Y-2	Heating

Tbl. 10: Pre-set accessory connections to electronic drive unit TC 400

#### Connect pre-configured accessories

- ▶ Observe the installation instructions in the operating instructions for the relevant accessory.
- ▶ Note the existing configuration of existing connections and control lines.
- ▶ Connect only matching accessory devices to the electronic drive unit.
- ▶ Use the Y-connector from the accessories range if you want to connect 3 or 4 devices.

#### Using additional accessories

- ▶ Observe the installation instructions in the operating instructions for the relevant accessory.
- ▶ Note the existing configuration of existing connections.
- ▶ Use a Pfeiffer Vacuum control unit for the configuration if needed.

## 5.7 Connecting the electrical supply

### **⚠ WARNING**

#### Risk of danger to life through missing mains disconnection device

The vacuum pump and electronic drive unit are **not** equipped with a mains disconnection device (mains switch).

- ▶ Install a mains disconnection device according to SEMI-S2.
- ▶ Install a circuit breaker with an interruption rating of at least 10,000 A.



**⚠ WARNING****Risk of injury due to incorrect installation**

Dangerous situations may arise from unsafe or incorrect installation.

- ▶ Do not carry out your own conversions or modifications on the unit.
- ▶ Ensure the integration into an Emergency Off safety circuit.

### 5.7.1 Grounding the turbopump

Pfeiffer Vacuum recommends connecting a suitable grounding cable to discharge applicative interferences.

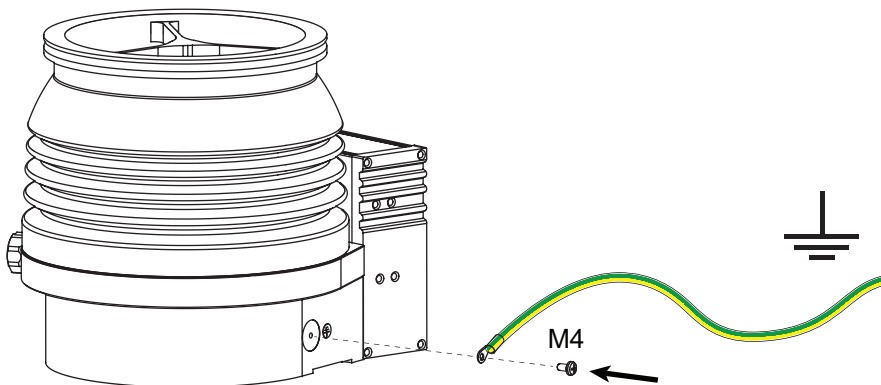


Fig. 17: Example: Connecting the grounding cable

#### Procedure

1. Use the turbopump ground terminal (M4 female thread).
2. Route the connection in accordance with locally applicable provisions.

### 5.7.2 Establishing electric connection

**⚠ DANGER****Danger to life from electric shock**

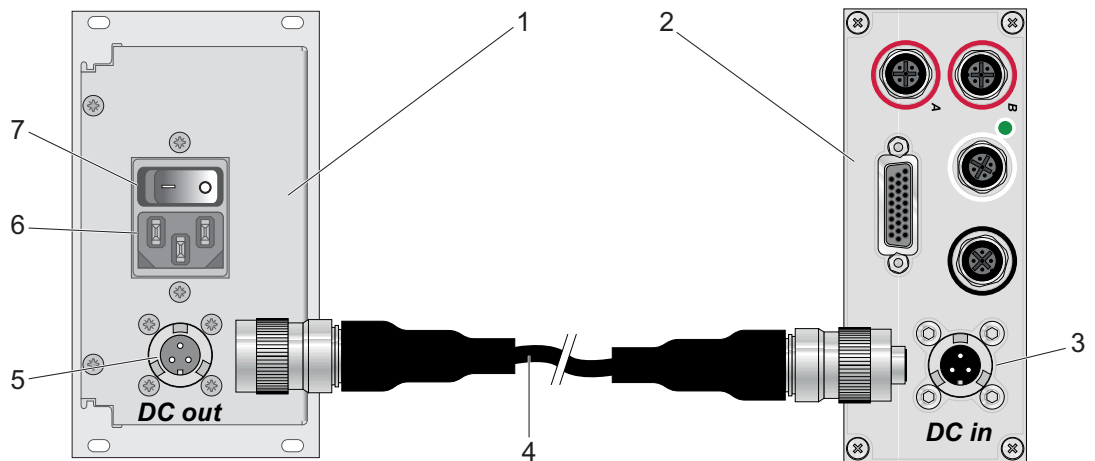
Power supply packs that are not specified or are not approved will lead to severe injury to death.

- ▶ Make sure that the power supply pack meets the requirements for double isolation between mains input voltage and output voltage, in accordance with IEC 61010-1 IEC 60950-1 and IEC 62368-1.
- ▶ Make sure that the power supply pack meets the requirements in accordance with IEC 61010-1 IEC 60950-1 and IEC 62368-1.
- ▶ Where possible, use original power supply packs or only power supply packs that correspond with the applicable safety regulations.

**⚠ WARNING****Danger of cut injuries from unexpected start up.**

The use of mating plugs of the electronic drive unit (accessories) enables the automatic run-up of the vacuum pump as soon the power is turned on. Attaching mating plugs before or during the installation leads to the movement of parts hence the risk of cut injuries by sharp-edged in the exposed high vacuum flange.

- ▶ Only connect mating plugs after the mechanical installation.
- ▶ Only switch on the vacuum pump immediately prior to operation.



**Fig. 18: Connecting electronic drive unit to power supply pack**

- |   |                           |
|---|---------------------------|
| 1 Power supply pack   Control unit with power supply pack | 5 Connecting socket DCout |
| 2 Turbopump electronic drive unit                         | 6 Mains connection ACin   |
| 3 DCin connection   | 7 Main switch             |
| 4 Connection cable, e.g., PM 061 352 -T                   |                           |

**Connecting electronic drive unit**

1. Ensure the correct supply voltage.
2. Make sure that the power supply pack main switch is off prior to connection.
3. Use a suitable connection cable from the Pfeiffer Vacuum accessories range.
4. Insert the connecting cable into the connection "DCin" on the electronic drive unit and close the bayonet lock.
5. Insert the connecting cable into the connection "DCout" on the power supply pack and close the bayonet lock.

## 6 Operation

### 6.1 Commissioning

#### **⚠ WARNING**

##### **Danger of cut injuries from unexpected start up.**

The use of mating plugs of the electronic drive unit (accessories) enables the automatic run-up of the vacuum pump as soon the power is turned on. Attaching mating plugs before or during the installation leads to the movement of parts hence the risk of cut injuries by sharp-edged in the exposed high vacuum flange.

- ▶ Only connect mating plugs after the mechanical installation.
- ▶ Only switch on the vacuum pump immediately prior to operation.

#### **NOTICE**

##### **Vacuum pump destruction due to excessive energy input during operation**

Simultaneous loading by means of high drive power (gas throughput, fore-vacuum pressure), high heat radiation, or strong magnetic fields results in uncontrolled heating of the rotor and can destroy the vacuum pump.

- ▶ Consult Pfeiffer Vacuum before combining varying loads on the vacuum pump. Lower limit values apply.

#### **NOTICE**

##### **Turbopump destruction due to gases with too high molecular masses**

The pumping of gases with impermissible high molecular masses leads to the destruction of the turbopump.

- ▶ Make sure that the gas mode is set correctly by **[P:027]** in the electronic drive unit.
- ▶ Consult Pfeiffer Vacuum before you use gases with higher molecular masses (> 80).

Important settings and function-related variables are factory-programmed into the vacuum pump electronic drive unit as parameters. Each parameter has a three-digit number and a description. Parameter-driven operation and control is supported via Pfeiffer Vacuum displays and control units, or externally via RS-485 using Pfeiffer Vacuum protocol.

Parameter	Name	Designation	Adjustment, setting
<b>[P:027]</b>	GasMode	Gas mode	0 = heavy gases
<b>[P:035]</b>	CfgAccA1	Accessory connection A1	0 = fan (continuous operation)
<b>[P:036]</b>	CfgAccB1	Accessory connection B1	1 = Venting valve
<b>[P:037]</b>	CfgAccA2	Accessory connection A2	3 = backing pump
<b>[P:038]</b>	CfgAccB2	Accessory connection B2	2 = heating
<b>[P:700]</b>	RUTimeSVal	Set value run-up time	8 min.
<b>[P:701]</b>	SpdSwPt1	Rotation speed switch point 1	80 %
<b>[P:707]</b>	SpdSVal	Speed-control operation specification	65 %
<b>[P:708]</b>	PwrSVal	Set value power consumption	100 %
<b>[P:720]</b>	VentSpd	Venting at rotation speed, delayed venting	50 %
<b>[P:721]</b>	VentTime	Venting time, delayed venting	3600 sec.

**Tbl. 11: Factory setting of the electronic drive unit when delivered**

#### **Notes for turbopump commissioning**

1. Observe the cooling water flow and flow rate.
2. When using sealing gas, observe the sealing gas flow and throughput.
3. Provide the current supply for the product.

## 6.2 Operating modes

The turbopump can be operated in different modes.

- Operation without control unit
- Operation via connection "E74"
- Operation via "remote" connection
- Operating via RS-485 interface from Pfeiffer Vacuum control unit or PC
- Operation via field bus

### 6.2.1 Operating without operating unit



#### Automatic start

When using the supplied mating plug on the electronic drive unit or bridging contacts according to the terminal lay-out, the turbopump is ready for operation. Once the supply voltage is provided, the turbopump starts up immediately.

#### Instructions for operation without control panel

1. Use only the approved Pfeiffer Vacuum mating plug with bridges on the connection of the electronic drive unit.
2. Switch on the mains supply of the turbopump only immediately before operation.

After applying the operating voltage, the electronic drive unit carries out a self-test to check the supply voltage. After completing the self-test successfully, the turbopump starts and activates connected additional equipment according to the configuration.

### 6.2.2 Operation via multi-function connection "remote"

Remote control is available via the 26-pole D-sub connector with the "remote" designation on the electronic drive unit. The accessible individual functions are mapped to "PLC levels".

#### Instructions for remote control operation

- ▶ See the operating instructions of the electronic drive unit for the standard version.

### 6.2.3 Operation via connection "E74"

Operation is possible via the 15-pole D-sub connection with the "E74" designation on the electronic drive unit. Besides the signals defined in the Directive SEMI E74-0301, the connection is provided with an inverted alarm signal and an analog output.

#### Instructions for operation with E74

- ▶ See the operating instructions of the electronic drive unit with E74 version.

### 6.2.4 Operation via Pfeiffer Vacuum control unit

Connecting a Pfeiffer Vacuum control unit allows the turbopump to be controlled via static parameters stored in the electronic drive unit.

#### Using control unit

1. Observe the appropriate operating instructions for handling Pfeiffer Vacuum control units:
  - Operating instructions available from the [Download Center](#).
2. Observe the electronic drive unit operating instructions from the scope of delivery of the vacuum pump.
3. Connect the control unit to the "RS-485" port on the electronic drive unit.
  - Use a suitable connection cable with an "RS-485" connector for this.
4. Switch on the turbopump power supply via the external power supply pack or the control unit with integrated power supply pack.

### 6.2.5 Operation via field bus

Integrating and operating Pfeiffer Vacuum turbopumps in the customer's field bus system is possible when using an electronic drive unit with a corresponding connection panel.

The following are available:

- Profibus
- Profinet
- EtherCAT
- DeviceNet

**Instructions for field bus operation**

- ▶ See the operating manual of the electronic drive unit with corresponding connection panel.

## 6.3 Switching on the turbopump

### **WARNING**

#### **Danger of cut injuries from unexpected start up.**

The use of mating plugs of the electronic drive unit (accessories) enables the automatic run-up of the vacuum pump as soon the power is turned on. Attaching mating plugs before or during the installation leads to the movement of parts hence the risk of cut injuries by sharp-edged in the exposed high vacuum flange.

- ▶ Only connect mating plugs after the mechanical installation.
- ▶ Only switch on the vacuum pump immediately prior to operation.

### **WARNING**

#### **Risk of burns on hot surfaces when using additional equipment for heating during operation**

The use of additional equipment for heating the vacuum pump or for optimizing the process generates very high temperatures on surfaces that can be touched. There is a risk of burning.

- ▶ If necessary, set up a contact guard.
- ▶ If necessary, apply the warning stickers provided for this at the danger points.
- ▶ Ensure adequate cooling down before working on the vacuum pump or in its vicinity.
- ▶ Wear protective equipment, e.g., gloves.

### **WARNING**

#### **Risk of serious injury in the event of vacuum pump destruction due to over pressure**

Gas entry with very high over pressure results in destruction of the vacuum pump. There is a risk of serious injury due to ejected objects.

- ▶ Never exceed the permissible 1500 hPa (absolute) inlet pressure on the suction side or the venting and sealing gas connection.
- ▶ Make sure that high, process-related over pressures cannot directly enter the vacuum pump.













**Switching on the turbopump**

- ▶ Connect the power supply pack to the mains power supply on the customer-side.
- ▶ Switch on the power supply pack.

## 6.4 Operation monitoring

### 6.4.1 Operating mode display via LED

LEDs on the electronic drive unit show the basic operating states of the vacuum pump. A differentiated error and warning display is only possible for operation with the Pfeiffer Vacuum control unit or a PC.

LED	Symbol	LED status	Display	Meaning
Green 		Off	—	Currentless
		On, flashing		"pumping station OFF", rotation speed ≤ 60 rpm
		On, inverse flashing		"pumping station ON", set rotation speed not reached
		On, constant		"pumping station ON", set rotation speed reached
		On, flashing		"pumping station OFF", speed > 60 rpm
Yellow 		Off	—	No warning
		On, constant		Warning
Red 		Off	—	No error, no warning
		On, constant		Error, malfunction

Tbl. 12: Behavior and meaning of the LEDs on the electronic drive unit

### 6.4.2 Temperature monitoring

If threshold values are exceeded, output signals from temperature sensors bring the turbopump to a safe condition. Depending on the type, temperature thresholds for warning and error messages are immutably stored in the electronic drive unit. For information purposes, various status requests are set up in the parameter set.

- In order to avoid switching off the turbopump, the electronic drive unit already reduces the power consumption in case of exceeding the warning threshold for excess temperature.
  - Examples are an impermissible motor temperature, or impermissibly high housing temperature.
- Further reduction of drive power and thus decreasing speed can potentially lead to underrun the rotation speed switchpoint. The turbopump switches off.
- Exceeding the temperature threshold for error messages switches off the turbopump immediately.

### 6.5 Switching off and venting



**We recommend**

Vent the turbopump after shutdown. By doing so, you prevent particles flowing back into the vacuum system from the fore-vacuum area.

#### 6.5.1 Switching off

**Notes for switching off the turbopump**

1. Shut down the turbopump via the control unit or remote control.
2. Close the fore-vacuum line.
3. Switch off the backing pump, if necessary.
4. Vent the turbopump.
5. Close the supply lines (e.g. for cooling water or sealing gas).

#### 6.5.2 Venting

**⚠ CAUTION**

**Risk of injuries due to contact with vacuum when venting**

While venting the vacuum pump there is a risk of minor injuries due to the direct contact of body parts with the vacuum, e.g. hematomas.

- ▶ Do not fully unscrew the venting screw out of the housing during venting.
- ▶ Keep a distance from automatic venting device, such as venting valves.

**NOTICE****Damage to the turbopump due to non-permissibly fast pressure rise during venting**

Non-permissibly high pressure rise rates place a significant load on the rotor and the magnetic bearing of the turbopump. During venting very small volumes in the vacuum chamber or the turbopump, there is a risk of uncontrollable pressure rises. This causes mechanical damage to the turbopump, including potential failure.

- ▶ Observe the prescribed maximum pressure rise speed of **15 hPa/s**.
- ▶ Avoid manual and uncontrolled venting of very low volumes.
- ▶ Where necessary, use a venting valve from the Pfeiffer Vacuum range of accessories.

**Manual venting**

Manual venting describes the standard process for venting the turbo pumping station.

1. Ensure that the vacuum system is shut down.
2. Open the black venting screw on the turbopump by one revolution maximum.
3. Wait for pressure equalization to atmospheric pressure in the vacuum system.
4. Close the venting screw again.

**Use a Pfeiffer Vacuum venting valve**

The Pfeiffer Vacuum venting valve is an optional accessory for installation on the turbopump.

The venting valve is normally closed. Control is via the turbopump electronic drive unit, and configuration of parameters **[P:012]** and **[P:030]**. In the event of a power failure, the turbopump continues to deliver sufficient energy during its run-down period to initiate a proper venting process. When power is restored, the venting process is interrupted.

- ▶ Switch off the turbopump.
  - The venting process starts automatically.

Venting speed [P:720]	Venting duration [P:721]	Venting duration in the event of a power failure
50 % of rated speed	3600 s	3600 s

**Tbl. 13: Factory settings for delayed venting in turbopumps**

**General information for fast venting**

We recommend fast venting of larger volumes in 4 steps.

1. Use a Pfeiffer Vacuum venting valve for the turbopump, or match the valve cross-section to the size of the recipient and maximum venting rate.
2. Vent the vacuum system with a maximum rate of pressure rise of **15 hPa/s** for a duration of 20 seconds.
3. Then vent the system with a second venting valve of any size; for example, directly at the vacuum chamber.
4. Wait for pressure equalization to atmospheric pressure in the vacuum system.

## 7 Maintenance

### 7.1 General maintenance information

#### **WARNING**

##### **Danger to life from electric shock during maintenance and service work**

The device is only completely de-energized when the mains plug has been disconnected and the turbopump is at a standstill. There is a danger to life from electric shock when making contact with live components.

- ▶ Before performing all work, switch off the main switch.
- ▶ Wait until the turbopump comes to a standstill (rotation speed  $f = 0$ ).
- ▶ Remove the mains plug from the device.
- ▶ Secure the device against unintentional restarting.

#### **WARNING**

##### **Health hazard through poisoning from toxic contaminated components or devices**

Toxic process media result in contamination of devices or parts of them. During maintenance work, there is a risk to health from contact with these poisonous substances. Illegal disposal of toxic substances causes environmental damage.

- ▶ Take suitable safety precautions and prevent health hazards or environmental pollution by toxic process media.
- ▶ Decontaminate affected parts before carrying out maintenance work.
- ▶ Wear protective equipment.

#### **WARNING**

##### **Risk of cuts on moving, sharp-edged parts when reaching into the open high vacuum connection**

Incorrect handling of the turbopump before maintenance work results in hazardous situations with risk of injury. There is a risk of cuts from accessing sharp-edged, rotating parts when removing the turbopump.

- ▶ Wait until the turbopump comes to a standstill (rotation speed  $f = 0$ ).
- ▶ Switch the turbopump off properly.
- ▶ Secure the turbopump against re-start.
- ▶ Seal open connections immediately following removal, using the original protective cover.

### 7.2 Maintenance intervals and responsibilities

#### **Recommendations for performing maintenance measures**

1. Clean the turbopump exterior with a lint-free cloth and a little isopropanol.
2. Replace the electronic drive unit as an independent unit.
3. Replace the operating fluid reservoir as an independent unit.
4. Pay attention to when the operating fluid must be changed.
5. Change the operating fluid reservoir at least every 4 years.
6. Have Pfeiffer Vacuum Service replace the rotor bearing of the turbopump at least every 4 years.
7. Consult with Pfeiffer Vacuum Service about shorter maintenance intervals for extreme loads or impure processes.
8. For all other cleaning, maintenance or repair work, contact the appropriate Pfeiffer Vacuum Service location.



## 7.3 Replacing operating fluid reservoir

### **⚠ WARNING**

#### **Risk of poisoning from contact with harmful substances**

The operating fluid reservoir and parts of the turbopump may contain toxic substances from pumped media.

- ▶ Decontaminate affected parts before carrying out maintenance work.
- ▶ Prevent health hazards or environmental impacts with adequate safety precautions.
- ▶ Observe the operating fluid safety data sheet.
- ▶ Dispose of the operating fluid reservoir according to applicable regulations.

### **NOTICE**

#### **Damage to sealing surfaces from unsuitable tools**

The use of unsuitable tools for removal or insertion of sealing rings damages the sealing surfaces, causing vacuum pump leakage.

- ▶ Never use sharp, metallic tools (e.g. tweezers).
- ▶ Only remove sealing rings with an O-ring picker.



#### **Replacing the operating fluid reservoir**

Depending on its design, the turbopump's operating fluid reservoir may feature capillary rods.

- When ordering spare parts, make sure you use the correct pump article number and the operating fluid reservoir.
- This information can be found on the pump rating plate.



Scan the QR code or [click here](#) to view **Service Level 1 Replacement of operating fluid reservoir**.

You can find the safety data sheet in the [Pfeiffer Vacuum Download Center](#).

#### **Prerequisites**

- Turbopump off
- Vacuum system vented to atmospheric pressure
- Electrical supply disconnected
- All cables disconnected
- All openings sealed with the original protective covers and any plugs

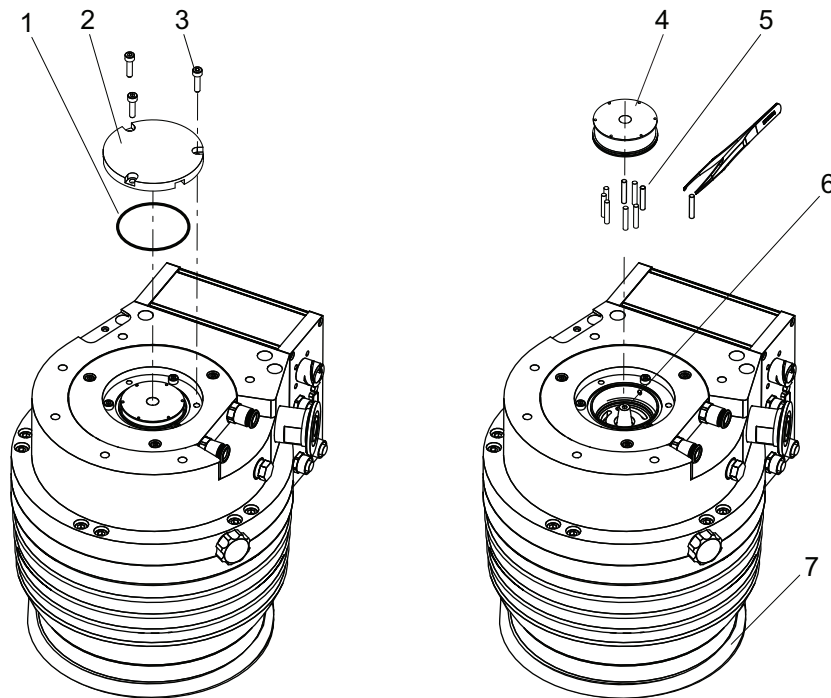
### 7.3.1 Removing the operating fluid reservoir

#### **Required tools**

- Allen key, **WAF 5**
- Tweezers
- O-ring picker

#### **Required consumables**

- Clean, lint-free cloth
- Laboratory gloves



**Fig. 19: Removing the operating fluid reservoir**

- |                             |                      |
|-----------------------------|----------------------|
| 1 O-ring                    | 5 Capillary rod (9×) |
| 2 Screw cap                 | 6 Injection tip      |
| 3 Allen head screw          | 7 Protective cover   |
| 4 Operating fluid reservoir |                      |

**Removing the operating fluid reservoir**

1. Wear laboratory gloves to avoid skin contact.
2. Place the turbopump on the closed high vacuum flange.
3. Unscrew all Allen head screws from the screw cap on the pump base.
4. Remove the screw cap.
5. Be careful with the O-ring; use an O-ring picker to remove if needed.
6. Avoid damage caused by scratches.
7. Remove the operating fluid reservoir from the bearing housing by hand.
8. Pull the old capillary rods out of the pump base with the tweezers.
9. Clean the screw cap with a clean, lint-free cloth.
  - Do not use cleaning agents.

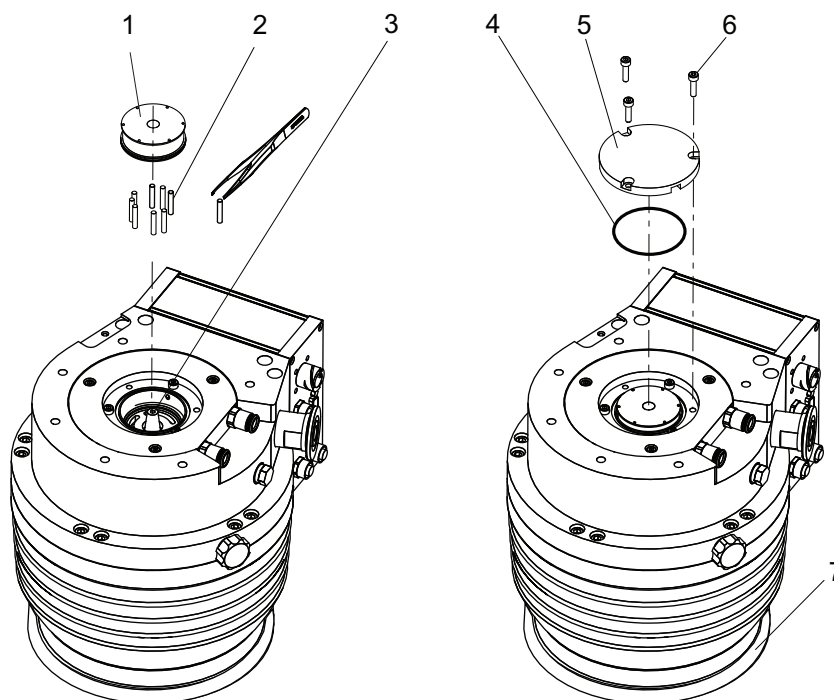
**7.3.2 Installing the operating fluid reservoir**

**Required consumables**

- Laboratory gloves

**Required tools**

- Allen key, **WAF 5**
- Tweezers
- Calibrated torque wrench (tightening factor ≤ 1.6)



**Fig. 20: Installing the operating fluid reservoir**

- |                             |                    |
|-----------------------------|--------------------|
| 1 Operating fluid reservoir | 5 Screw cap        |
| 2 Capillary rods (9×)       | 6 Allen head screw |
| 3 Injection tip             | 7 Protective cover |
| 4 O-ring                    |                    |

#### Installing the operating fluid reservoir

1. Insert all new capillary rods with the tweezers.
2. Insert the operating fluid reservoir into the bearing housing with the felt side in the direction of the injection tip.
  - When doing so, do **not** exert pressure on the operating fluid reservoir.
3. Insert the O-ring in the groove in the pump base.
4. Fit the screw cap.
5. Tighten all 3 Allen head screws uniformly.
  - Tightening torque: **2.5 Nm**.

## 7.4 Replacing electronic drive unit

### NOTICE

#### Damage to the vacuum pump and electronic drive unit due to improper disconnection of components

Even after the power supply has been switched off, the vacuum pump continues to deliver electrical energy during its run-down period. If the vacuum pump and electronic drive unit are disconnected prematurely, there is the risk of body contact and consequently the destruction of electronic components.

- ▶ Never disconnect the vacuum pump and electronic drive unit from each other if power is still connected or if the rotor is running.
- ▶ Monitor the rotation speed via the parameters available in the electronic drive unit (e.g. **[P:398]**).
- ▶ Wait until the vacuum pump comes to a standstill (rotation speed  $f = 0$ ).

### NOTICE

#### Property damage from electrostatic discharge

Neglecting the electrostatic hazard for electronic components results in their damage or destruction

- ▶ Implement ESD safety measures at the workstation.
- ▶ Observe EN 61340 "Protection of electronic devices from electrostatic phenomena".



**Backing up settings made by the customer**

The factory operating parameters are always preset in replacement units. All settings made by the customer to the original electronic drive unit are lost when it is replaced. To preserve your custom settings, you have the following options:

1. Back up all your settings as a parameter set in an HPU.
2. Load a backup parameter set by means of HPU into the new electronic drive unit.
3. Program the individual settings into the new electronic drive unit by hand.
4. See the operating instructions of the electronic drive unit and the HPU.

The electronic drive unit of the turbopump cannot be repaired. In the event of a defect, replace the entire electronic drive unit with a spare part.

**Prerequisites**

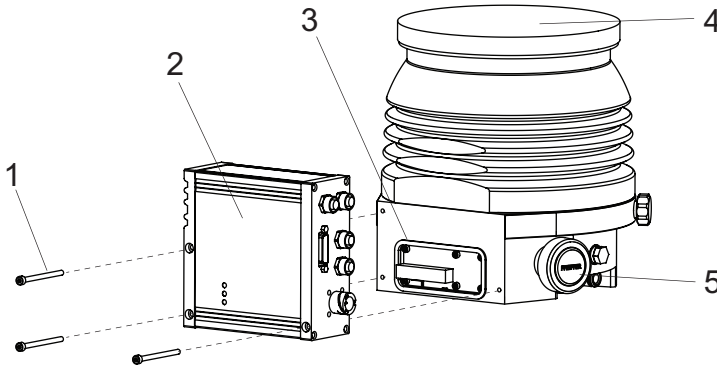
- Turbopump off
- Turbopump cooled
- Vacuum system vented to atmospheric pressure
- Electrical supply disconnected
- All cables disconnected from the electronic drive unit
- All openings sealed with the original protective covers, and any screw plugs.

**7.4.1 Removing electronic drive unit**

The electronic drive unit of the turbopump cannot be repaired. In the event of a defect, replace the entire electronic drive unit with a replacement part.

**Required tools**

- Allen key, **WAF 3**
- Calibrated torque wrench (tightening factor  $\leq 1.6$ )



**Fig. 21: Removal of electronic drive unit TC 400**

- |                         |   |
|-------------------------|---|
| 1 Allen head screw      | 4 High vacuum connection protective cover |
| 2 Electronic drive unit | 5 Fore-vacuum connection protective cover |
| 3 Adapter plate         |   |

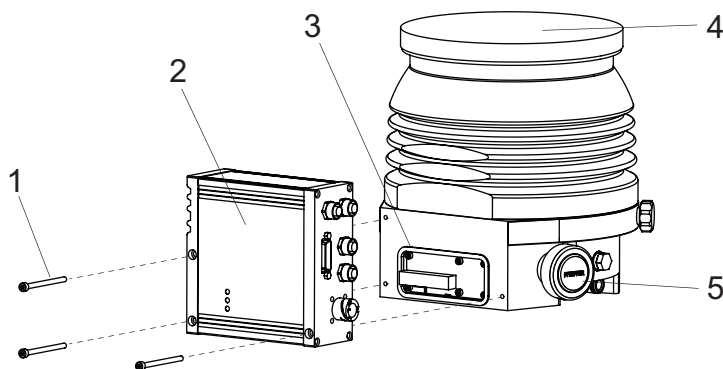
**Procedure**

1. Install the turbopump upright if required.
2. Unscrew all 3 Allen head screws from the electronic drive unit.
3. Pull the old electronic drive unit off the turbopump, taking care to keep it straight.

**7.4.2 Installing the electronic drive unit**

**Required tools**

- Allen key, **WAF 3**
- Calibrated torque wrench (tightening factor  $\leq 1.6$ )



**Fig. 22: Installation of electronic drive unit TC 400**

- |                         |   |
|-------------------------|---|
| 1 Allen head screw      | 4 High vacuum connection protective cover |
| 2 Electronic drive unit | 5 Fore-vacuum connection protective cover |
| 3 Adapter plate         |   |

#### Procedure

- Place a new electronic drive unit straight onto the adapter plate connection of the turbopump.
- Screw the electronic drive unit to the turbopump with all 3 Allen head screws.
  - Tightening torque: **2.5 Nm**

### 7.4.3 Confirming speed specification

The typical nominal rotation speed of a turbopump is preset ex factory in the electronic drive unit. If the electronic drive unit is replaced or a different pump type is used, the set value settings of the nominal rotation speed is cleared. The manual confirmation of the nominal rotation speed is part of a redundant safety system as a measure for preventing excess rotation speed.

The redundant confirmation of the nominal rotation speed of a turbopump is possible by adjusting the **[P:777] NomSpdConf** parameter in the electronic drive unit.

HiPace	Nominal rotation speed
10   30   60   80	1500 Hz
300	1000 Hz
350   450	1100 Hz
400   700   800	820 Hz

**Tbl. 14: Characteristic nominal rotation speeds of the turbopumps**

#### Required aids

- Connected Pfeiffer Vacuum control unit
- Knowledge of the configuration and setting of electronic drive unit operating parameters

#### Adjusting nominal rotation speed confirmation

- Observe the operating instructions of the control unit.
- See the electronic drive unit operating instructions.
- Set the parameter **[P:794]** to "1" and activate the expanded parameter set.
- Open and edit the parameter **[P:777]**.
- Set the parameter **[P:777]** to the required value of the nominal rotation speed in Hertz.



#### Alternative to adjusting the nominal rotation speed confirmation

A Pfeiffer Vacuum SpeedConfigurator for the one-time immediate setting of parameter **[P:777]** is included with the replacement units.

## 8 Decommissioning

### 8.1 Shutting down for longer periods

#### **⚠ WARNING**

##### **Health hazard through poisoning from toxic contaminated components or devices**

Toxic process media result in contamination of devices or parts of them. During maintenance work, there is a risk to health from contact with these poisonous substances. Illegal disposal of toxic substances causes environmental damage.

- ▶ Take suitable safety precautions and prevent health hazards or environmental pollution by toxic process media.
- ▶ Decontaminate affected parts before carrying out maintenance work.
- ▶ Wear protective equipment.

#### **Procedure for a longer downtime of the turbopump (> 1 year)**

1. Remove the turbopump from the vacuum system if necessary.
2. Change the operating fluid reservoir of the turbopump if necessary.
3. Close the high vacuum flange of the turbopump.
4. Evacuate the turbopump via the fore-vacuum connection.
5. Vent the turbopump via the venting connection with dry, oil-free air or inert gas.
6. Seal all flange openings with the original protective caps.
7. Store the turbopump upright with the high vacuum flange upwards.
8. Store the turbopump indoors only, within the specified temperature range.
9. In rooms with humid or aggressive atmospheres: Hermetically seal the turbopump together with a drying agent in a plastic bag.

### 8.2 Recommissioning

#### **NOTICE**

##### **Risk of damage to the turbopump as a result of operating fluid aging after recommissioning**

The shelf life of the operating fluid of the turbopump is limited. Aging of the operating fluid may lead to the failure of the ball bearing and cause damage to the turbopump.

- ▶ Pay attention to when the operating fluid must be changed:
  - after maximum 2 years without operation,
  - after maximum 4 years combined operation and downtimes.
- ▶ Observe the maintenance instructions and inform Pfeiffer Vacuum Service.

#### **Procedures for recommissioning the turbopump**

1. Check the turbopump for contamination and moisture.
2. Clean the turbopump externally with a lint-free cloth and a little isopropanol.
3. If necessary, arrange for Pfeiffer Vacuum Service to completely clean the turbopump.
4. Observe the total running time of the turbopump and if necessary, arrange for Pfeiffer Vacuum Service to replace the bearing.
5. Change the operating fluid reservoir of the turbopump.
6. Install the turbopump according to these operating instructions ([see chapter "Installation", page 21](#)).
7. Recommission the turbopump according to these instructions ([see chapter "Commissioning", page 35](#)).

## 9 Recycling and disposal

### **WARNING**

#### **Health hazard through poisoning from toxic contaminated components or devices**

Toxic process media result in contamination of devices or parts of them. During maintenance work, there is a risk to health from contact with these poisonous substances. Illegal disposal of toxic substances causes environmental damage.

- ▶ Take suitable safety precautions and prevent health hazards or environmental pollution by toxic process media.
- ▶ Decontaminate affected parts before carrying out maintenance work.
- ▶ Wear protective equipment.



#### **Environmental protection**

You **must** dispose of the product and its components in accordance with all applicable regulations for protecting people, the environment and nature.

- Help to reduce the wastage of natural resources.
- Prevent contamination.

### 9.1 General disposal information

Pfeiffer Vacuum products contain materials that you must recycle.

- ▶ Dispose of our products according to the following:
  - Iron
  - Aluminium
  - Copper
  - Synthetic
  - Electronic components
  - Oil and fat, solvent-free
- ▶ Observe the special precautionary measures when disposing of:
  - Fluoroelastomers (FKM)
  - Potentially contaminated components that come into contact with media

### 9.2 Dispose of turbopumps

Pfeiffer Vacuum turbopumps contain materials that you must recycle.

1. Remove the complete operating fluid reservoir.
2. Remove the electronic drive unit.
3. Decontaminate components that come into contact with process gases.
4. Separate the components into recyclable materials.
5. Recycle the non-contaminated components.
6. Dispose of the product or components in a safe manner according to locally applicable regulations.

# 10 Malfunctions

**⚠ WARNING**

**Danger to life from electric shock in the event of a fault**

In the event of a fault, devices connected to the mains may be live. There is a danger to life from electric shock when making contact with live components.

- ▶ Always keep the mains connection freely accessible so you can disconnect it at any time.

**⚠ WARNING**

**Danger to life from poisoning where toxic process media leak from damaged connections**

Sudden twisting of the turbopump in the event of a fault causes fittings to accelerate. There is the risk of damaging on-site connections (e.g., fore-vacuum line) and resulting leaks. This results in leakage of process media. In processes involving toxic media, there is a risk of injury and danger to life due to poisoning.

- ▶ Keep masses connected to the turbopump as low as possible.
- ▶ Use flexible lines to connect to the turbopump where necessary.

**⚠ WARNING**

**Danger to life from the turbopump breaking away in the event of a fault**

Sudden jamming of the rotor generates high destructive torques in accordance with ISO 27892. If the turbopump is **not** properly secured, it can shear off. The energy that this would release could throw the entire turbopump or shattered pieces from its interior through the surrounding space. Potentially dangerous gases can escape. There is a risk of very serious injuries, including death, and extensive property damage.

- ▶ Follow the installation instructions for this turbopump.
- ▶ Observe the requirements regarding stability and design of the counter flange.
- ▶ Use only original accessories or fixing material approved by Pfeiffer Vacuum for the installation.

**⚠ WARNING**

**Risk of injury caused by the turbopump breaking away with the vibration compensator in the event of a malfunction**

Sudden jamming of the rotor generates high destructive torques in accordance with ISO 27892. When using a vibration compensator, this will probably lead to the turbopump being sheared off in use. The energy that this would release could throw the entire turbopump or shattered pieces from its interior through the surrounding space. Potentially dangerous gases can escape. There is a risk of very serious injuries, including death, and extensive property damage.

- ▶ Take suitable safety precautions on-site for the compensation of the occurring torques.
- ▶ Before installing a vibration compensator, you must first of all contact Pfeiffer Vacuum.

Should malfunctions occur, you can find information about potential causes and how to fix them here. The operating instructions of the associated electronic drive unit contains more detailed error descriptions.

Problem	Possible causes	Remedy
Turbopump will not start up; none of the built-in LEDs on the electronic drive unit light up	<ul style="list-style-type: none"> <li>● Current supply interrupted</li> </ul>	<ul style="list-style-type: none"> <li>● Check the plug contacts on the power supply pack.</li> <li>● Check the current supply lines.</li> <li>● Check the output voltage at the power supply pack "DC out" connection.                             <ul style="list-style-type: none"> <li>– Depending on the version of the power supply pack, 24 V DC or 48 V DC are present.</li> </ul> </li> </ul>
	<ul style="list-style-type: none"> <li>● Incorrect operating voltage</li> </ul>	<ul style="list-style-type: none"> <li>● Observe the electronic drive unit rating plate.</li> <li>● Supply the correct operating voltage.</li> </ul>
	<ul style="list-style-type: none"> <li>● No operating voltage present</li> </ul>	<ul style="list-style-type: none"> <li>● Supply the correct operating voltage.</li> <li>● Switch on the power supply pack.</li> </ul>
	<ul style="list-style-type: none"> <li>● Electronic drive unit defective</li> </ul>	<ul style="list-style-type: none"> <li>● Replace the electronic drive unit.</li> <li>● Contact Pfeiffer Vacuum Service.</li> </ul>



Turbopump will not start up; green LED on the electronic drive unit is flashing	<ul style="list-style-type: none"> <li>● <b>For operation without control unit:</b> Pins 1-3 and 1-14 on the "remote" connection are not connected</li> </ul>	<ul style="list-style-type: none"> <li>● Connect the connections according to the electronic drive unit connection diagram.</li> <li>● Check the bridges on the connection cable.</li> </ul>
	<ul style="list-style-type: none"> <li>● <b>For operation via RS-485:</b> The bridge between pins 1 and 14 inhibits control commands</li> </ul>	<ul style="list-style-type: none"> <li>● Remove the bridge at the "remote" connection.</li> <li>● Check the connection cable.</li> </ul>
	<ul style="list-style-type: none"> <li>● <b>For operation via RS-485:</b> Parameters not set in the electronic drive unit</li> </ul>	<ul style="list-style-type: none"> <li>● Set the parameters <b>[P: 010]</b> and <b>[P: 023]</b> via the interface RS-485 to 1 = "ON".</li> </ul>
	<ul style="list-style-type: none"> <li>● Voltage drop in the cable is too high</li> </ul>	<ul style="list-style-type: none"> <li>● Check the connection cable.</li> <li>● Use a suitable connection cable.</li> </ul>
Turbopump fails to reach the nominal rotation speed within the set run-up time	<ul style="list-style-type: none"> <li>● Fore-vacuum pressure too high</li> </ul>	<ul style="list-style-type: none"> <li>● Check backup pump compatibility (see technical data).</li> <li>● Check that the backup pump is working.</li> </ul>
	<ul style="list-style-type: none"> <li>● Leakage on the turbopump</li> </ul>	<ul style="list-style-type: none"> <li>● Carry out leak detection.</li> <li>● Check seals and flange connections.</li> <li>● Eliminate leaks.</li> </ul>
	<ul style="list-style-type: none"> <li>● Gas throughput too high</li> </ul>	<ul style="list-style-type: none"> <li>● Reduce the process gas load.</li> </ul>
	<ul style="list-style-type: none"> <li>● Rotor not running smoothly, defective bearing</li> </ul>	<ul style="list-style-type: none"> <li>● Check the turbopump for noise development</li> <li>● Contact Pfeiffer Vacuum Service.</li> </ul>
	<ul style="list-style-type: none"> <li>● Run-up time setpoint adjusted too low</li> </ul>	<ul style="list-style-type: none"> <li>● Use a control unit to extend the set value run-up time <b>[P:700]</b>.</li> </ul>
Turbopump not achieving the ultimate pressure	<p><b>Thermal load due to:</b></p> <ul style="list-style-type: none"> <li>● lack of ventilation</li> <li>● water flow too low</li> <li>● Fore-vacuum pressure too high</li> <li>● ambient temperature too high</li> </ul>	<ul style="list-style-type: none"> <li>● Reduce the thermal load. <ul style="list-style-type: none"> <li>– Ensure adequate air supply.</li> <li>– Adjust the cooling water flow.</li> <li>– Reduce the fore-vacuum pressure.</li> <li>– Adapt the ambient conditions.</li> </ul> </li> </ul>
	<ul style="list-style-type: none"> <li>● Turbopump is polluted</li> </ul>	<ul style="list-style-type: none"> <li>● Heat the turbopump if required.</li> <li>● Have it cleaned.</li> <li>● Contact Pfeiffer Vacuum Service.</li> </ul>
Unusual noises during operation	<ul style="list-style-type: none"> <li>● Vacuum chamber, pipes or turbopump leaking</li> </ul>	<ul style="list-style-type: none"> <li>● Carry out leak detection starting from the vacuum chamber.</li> <li>● Check seals and flange connections.</li> <li>● Eliminate leaks in the vacuum system.</li> </ul>
	<ul style="list-style-type: none"> <li>● Rotor bearing damaged</li> </ul>	<ul style="list-style-type: none"> <li>● Contact Pfeiffer Vacuum Service.</li> </ul>
	<ul style="list-style-type: none"> <li>● Rotor damaged</li> </ul>	<ul style="list-style-type: none"> <li>● Contact Pfeiffer Vacuum Service.</li> </ul>
Red LED on the electronic drive unit illuminates	<ul style="list-style-type: none"> <li>● Splinter shield or protective screen loose</li> </ul>	<ul style="list-style-type: none"> <li>● Check and correct the seat of the splinter shield or protective screen in the high vacuum flange.</li> <li>● Follow the installation instructions.</li> </ul>
	<ul style="list-style-type: none"> <li>● Group error</li> </ul>	<ul style="list-style-type: none"> <li>● Reset the malfunction by switching the current supply off and on.</li> <li>● Reset the malfunction with V+ on pin 13 on the "remote" connection.</li> <li>● Set the parameter <b>[P: 009]</b> via the RS-485 interface to 1 = malfunction acknowledgment.</li> <li>● Set the parameter <b>[P: 010]</b> via the RS-485 interface to 0 = off and then 1 = on and malfunction acknowledgment.</li> <li>● Carry out a differentiated malfunction analysis with a control unit.</li> <li>● Contact Pfeiffer Vacuum Service.</li> </ul>

Tbl. 15: Troubleshooting turbopumps

# 11 Service solutions by Pfeiffer Vacuum

### We offer first-class service

High vacuum component service life, in combination with low downtime, are clear expectations that you place on us. We meet your needs with efficient products and outstanding service.

We are always focused on perfecting our core competence – servicing of vacuum components. Once you have purchased a product from Pfeiffer Vacuum, our service is far from over. This is often exactly where service begins. Obviously, in proven Pfeiffer Vacuum quality.

Our professional sales and service employees are available to provide you with reliable assistance, worldwide. Pfeiffer Vacuum offers an entire range of services, from [original replacement parts](#) to [service contracts](#).

### Make use of Pfeiffer Vacuum service

Whether preventive, on-site service carried out by our field service, fast replacement with mint condition replacement products, or repair carried out in a [Service Center](#) near you – you have various options for maintaining your equipment availability. You can find more detailed information and addresses on our homepage, in the [Pfeiffer Vacuum Service](#) section.

**You can obtain advice on the optimal solution for you, from your [Pfeiffer Vacuum representative](#).**

**For fast and smooth service process handling, we recommend the following:**



1. Download the up-to-date form templates.
  - [Explanations of service requests](#)
  - [Service requests](#)
  - [Contamination declaration](#)



- a) Remove and store all accessories (all external parts, such as valves, protective screens, etc.).
  - b) If necessary, drain operating fluid/lubricant.
  - c) If necessary, drain coolant.
2. Complete the service request and contamination declaration.



3. Send the forms by email, fax, or post to your local [Service Center](#).

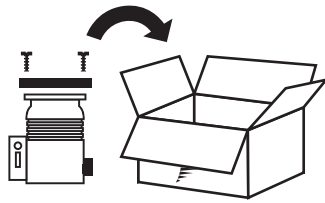


4. You will receive an acknowledgment from Pfeiffer Vacuum.

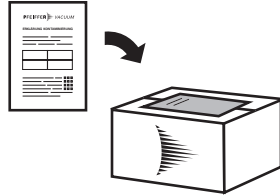
PFEIFFER VACUUM

### Submission of contaminated products

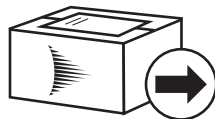
No microbiological, explosive, or radiologically contaminated products will be accepted. Where products are contaminated, or the contamination declaration is missing, Pfeiffer Vacuum will contact you before starting service work. Depending on the product and degree of pollution, **additional decontamination costs** may be incurred.



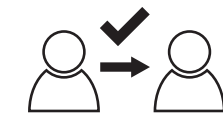
5. Prepare the product for transport in accordance with the provisions in the contamination declaration.
  - a) Neutralize the product with nitrogen or dry air.
  - b) Seal all openings with blind flanges, so that they are airtight.
  - c) Shrink-wrap the product in suitable protective foil.
  - d) Package the product in suitable, stable transport containers only.
  - e) Maintain applicable transport conditions.



6. Attach the contamination declaration to the **outside** of the packaging.



7. Now send your product to your local Service Center.



8. You will receive an acknowledgment/quotation, from Pfeiffer Vacuum.

PFEIFFER VACUUM

Our sales and delivery conditions and repair and maintenance conditions for vacuum devices and components apply to all service orders.

## 12 Spare parts HiPace 700 P

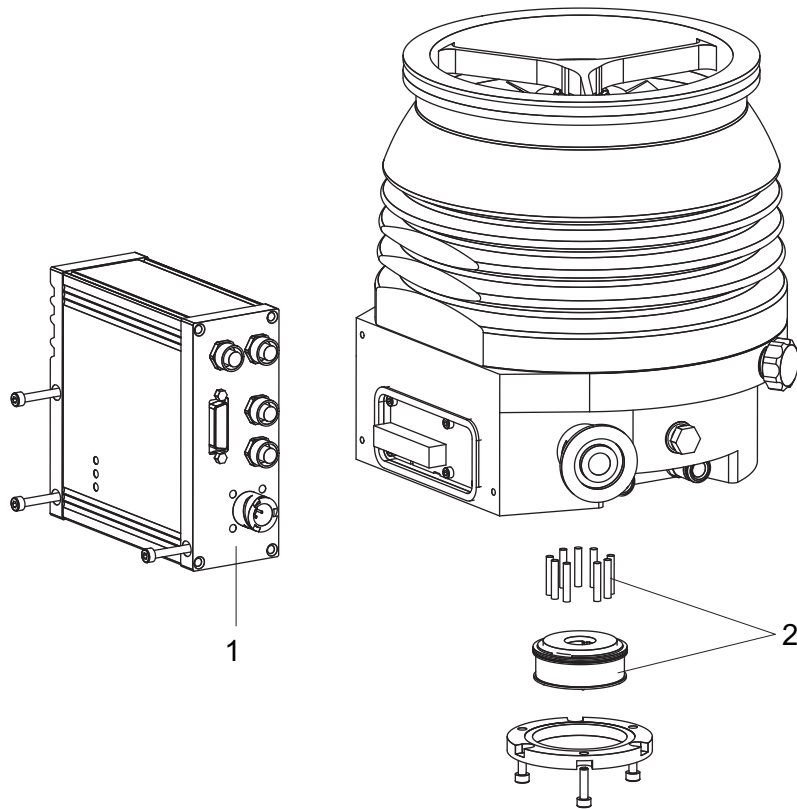


Fig. 23: Spare parts HiPace 700 P

Position	Designation	Order number	Remark	Pieces	Quantity
1	Electronic drive unit TC 400	refer to the rating plate	depending on the connection panel	1	
2	Operating fluid reservoir	PM 143 452 -T	incl. capillary rod	1	

Tbl. 16: Available spare parts

## 13 Accessories



View the [range of accessories for hybrid bearing turbopumps](#) on our website.

### 13.1 Accessory information

#### Fixing materials

Type-specific assembled packages, with centering ring and seal, ensure the secure fastening of the vacuum pump. Optionally with splinter shield or protective screen.

#### Power supply packs and control units

Power supply packs for optimal voltage supply of Pfeiffer Vacuum products are characterized by their compact size and adapted power supply with maximum reliability. Control units are used to check and adjust operating parameters.

#### Cable and adapter

Mains, interface, connection, and extension cables provide a secure and suitable connection. Different lengths on request

#### Venting accessories

A Pfeiffer Vacuum venting valve offers maximum operating and process security. Automatic control through the integrated electronic drive unit of the turbopump.

#### Sealing gas supply

Sealing gas is used to protect the vacuum pump from dusty and corrosive processes, or excessive gas throughputs. Sealing gas prevents the ingress of damaging substances into the motor and bearing area. The supply is carried out either via a sealing gas valve or a sealing gas throttle without control.

#### Air cooling

For processes with low gas throughputs and good fore-vacuum pressure, air cooling can be used independently of a water supply. Automatic control through the integrated electronic drive unit of the turbopump.

#### Heating

Heating jackets enable the ultimate pressure to be reached more quickly during process cleaning. Automatic control through the integrated electronic drive unit of the turbopump.

#### Backing pump control

The electronic drive unit of the turbopump enables useful control of backing pumps. Depending on the backing pump used, different operating modes are available.

#### Integrated pressure measurement

Evaluation and control by the integrated electronic drive unit, independently of an additional power supply.

### 13.2 Ordering accessories

Selection field	Part number
Centering ring with multifunction coating, DN 160 ISO-K/-F	PM 016 216 -U
Centering ring with multifunction coating and integrated protection screen, DN 160 ISO-K/-F	PM 016 218 AU
Mounting kit for DN 160 ISO-F, including coated centering ring, hexagon screws	PM 016 460 -T
Mounting kit for HiPace 700, DN 160 ISO-F, including coated centering ring, splinter shield, hexagon screws	PM 016 461 -T
Mounting kit for DN 160 ISO-F, including coated centering ring, protective screen, hexagon screws	PM 016 462 -T
Mounting kit for DN 160 ISO-F, including coated centering ring, stud screws	PM 016 465 -T

Selection field	Part number
Mounting kit for DN 160 ISO-F, including coated centering ring, splinter shield, stud screws	PM 016 466 -T
Mounting kit for DN 160 ISO-F, including coated centering ring, protective screen, stud screws	PM 016 467 -T
Elastomer seal, FKM, DN 160 CF	402DFL160-S2
Elastomer seal, FKM, DN 160 CF	402DFL160-Z
Copper gasket, vacuum-annealed, DN 160 CF	490DFL160-G-S5
Copper gasket, OFHC copper, DN 160 CF	490DFL160-S5
Copper gasket, silver-plated, vacuum-annealed, DN 160 CF	490DFL160-S-G-S5
Copper gasket, silver-plated, DN 160 CF	490DFL160-S-S5
Hexagon screw set for flanges with through holes, DN 160 CF-F	PM 016 691 -T
Set of stud screws for flanges with a threaded hole, DN 160 CF-F	PM 016 693 -T
Set of stud screws for flanges with through-hole, DN 160 CF-F	PM 016 735 -T
Vibration damper for HiPace DN 160 CF-F	PM 006 493 AX
Vibration damper for HiPace with DN 160 ISO-K/F	PM 006 492 AX
Splinter shield for turbopumps, DN 160 CF-F	PM 016 318
Protection screen for DN 160 CF-F	PM 016 339
Connection kit for mounting pumps, DN 25 ISO-KF	120SWS025-1000
Flange with pipe thread, DN 16 ISO-KF, G 1/8"	PM 016 780 -T
TC 400 electronic drive unit for HiPace 300/400/700	PM C01 800 AT
OmniControl 001 Mobile, control units	PE D20 000 0
OmniControl 001, rack unit without integrated power supply pack	PE D40 000 0
OmniControl 400, rack unit with integrated power supply pack	PE D70 000 0
OmniControl 400, table unit with integrated power supply pack	PE E70 000 0
OmniControl 200 with PKR 361, 25 KF	PT 440 955 -T
OmniControl 200 mit PKR 361, 40 CF	PT 440 957 -T
RJ 45 interface cable on M12 for HiPace	PM 051 726 -T
USB RS-485 converter	PM 061 207 -T
Interface cable, M12 m straight / M12 m straight, 3 m	PM 061 283 -T
TPS 400, power supply pack 48 V DC, for wall/standard rail fitting	PM 061 343 -T
TPS 401, power supply pack 48 V DC, 19" partial plug-in 3HU	PM 061 347 -T
Connection cable for HiPace with TC 400/TM 700 to power supply pack TPS/DCU 310/311/400/401	PM 061 352 -T
Relay box for backing pumps, single phase 20 A for TC 400 and TCP 350, M12 plug	PM 061 375 -T
Wall rail fitting for TPS 110/180/310/400	PM 061 392 -T
Front panel kit for TPS 401	PM 061 396 -T
Control cable for pumping stations 0.7 m	PM 061 675 AT
HiPace – ACP connection cable	PM 071 142 -X
Relay box, shielded, for backing pumps, 1-phase 7 A for TC 400/1200, TM 700 and TCP 350, M12	PM 071 284 -X
TTV 001, Drier for venting turbopumps	PM Z00 121
TVV 001, fore-vacuum safety valve, 230 V AC	PM Z01 205
TVV 001, fore-vacuum safety valve, 115 V AC	PM Z01 206
HV gate valve, DN 160 ISO-F, electro-pneumatic, PI (RS)/PV 24 V DC, SS/FKM	GVP-S10342
Venting valve, shielded, 24 V DC, G 1/8", for connection to TC 400/1200 and TM 700	PM Z01 291
Air cooling for HiPace 400/700 and 800 with TC 400	PM Z01 303
Sealing gas valve, shielded for HiPace 300 with TC 400 and TM 700, TCP 350	PM Z01 312
Sealing gas throttle for HiPace 300	PM Z01 317
Terminal resistor for RS-485	PT 348 105 -T

Selection field	Part number
Power separator for RS-485	PT 348 132 -T
TIC 010, adapter for two sensors	PT R70 000
RPT 010, digital Piezo/Pirani sensor	PT R71 100
IKT 010, digital cold cathode sensor, low current	PT R72 100
IKT 011, digital cold cathode sensor, high current	PT R73 100
Y-connector M12 for RS-485	P 4723 010
Connection cable MVP-TC-TPS, 3 m	PE 100 013 -T
Connection cable, angled, with RS-485 interface and two accessory ports from TC 80/110/120 to power supply pack, 1 m	PM 071 655 -T
Measurement cable DigiLine xPT 200 AR/CCT 3xx AR to TPG 3xx, 3 m	PT 348 250 -T
Measurement cable, 3 m	PT 448 250 -T
Connection cable TPS-HiScroll-TC80, 3 m	PM 071 780 -T
Mains cable 230 V AC, CEE 7/7 to C13, 3 m	P 4564 309 ZA
Mains cable 115 V AC, NEMA 5-15 to C13, 3 m	P 4564 309 ZE
Mains cable 208 V AC, NEMA 6-15 to C13, 3 m	P 4564 309 ZF
Push-in fitting for 6 mm tube, G 1/8"	PM 016 781 -T
Push-in fitting for 8 mm tube, G 1/8"	PM 016 782 -T
Hose nozzle for 9 mm hose, G 1/8"	PM 016 783 -T
PKR 361, high current, DN 40 CF-F	PT T03 350 010
UHV Gate valve, DN 160 CF, UNF, electro-pneumatic, PI (RS)/PV 24 V DC, SS/Cu/FKM	GVMP-S10642
Y-Connector, shielded, M12 for accessories	P 4723 013
Sealing gas monitoring unit G 1/8"	PM 016 911 -U
Heating sleeve for HiPace® 400/700/800 with TC 400, 230 V AC, safety plug	PM 061 369 -T
Heating sleeve for HiPace® 400/700/800 with TC 400, 208 V AC, ul plug	PM 061 370 -T
Heating sleeve for HiPace® 400/700/800 with TC 400, 115 V AC, ul plug	PM 061 371 -T

**Tbl. 17: HiPace 700 accessories**

# 14 Technical data and dimensions

## 14.1 General

This section describes the basis for the technical data of Pfeiffer Vacuum turbopumps.



### Technical data

Maximum values refer exclusively to the input as a single load.

- Specifications according to PNEUROP committee PN5
- ISO 27892 2010: "Vacuum technology - Turbomolecular pumps - Measurement of rapid shutdown torque"
- ISO 21360 2012: "Vacuum technology - Standard methods for measuring vacuum-pump performance - Part 1: General description"
- ISO 21360 2018: "Vacuum technology - Standard methods for measuring vacuum-pump performance - Part 4: Turbomolecular vacuum pumps"
- Ultimate pressure with test dome after 48 h bake out duration
- Gas throughput with water cooling; backing pump = rotary vane pump (10 m<sup>3</sup>/h)
- Cooling water consumption at maximum gas throughput, cooling water temperature 25 °C
- Integral leakage rate with 100 % helium concentration, 10 s measurement duration
- Sound pressure level at distance to vacuum pump = 1 m

	mbar	bar	Pa	hPa	kPa	Torr   mm Hg
mbar	1	1 · 10 <sup>-3</sup>	100	1	0.1	0.75
bar	1000	1	1 · 10 <sup>5</sup>	1000	100	750
Pa	0.01	1 · 10 <sup>-5</sup>	1	0.01	1 · 10 <sup>-3</sup>	7.5 · 10 <sup>-3</sup>
hPa	1	1 · 10 <sup>-3</sup>	100	1	0.1	0.75
kPa	10	0.01	1000	10	1	7.5
Torr   mm Hg	1.33	1.33 · 10 <sup>-3</sup>	133.32	1.33	0.133	1

1 Pa = 1 N/m<sup>2</sup>

Tbl. 18: Conversion table: Pressure units

	mbar l/s	Pa m <sup>3</sup> /s	sccm	Torr l/s	atm cm <sup>3</sup> /s
mbar l/s	1	0.1	59.2	0.75	0.987
Pa m <sup>3</sup> /s	10	1	592	7.5	9.87
sccm	1.69 · 10 <sup>-2</sup>	1.69 · 10 <sup>-3</sup>	1	1.27 · 10 <sup>-2</sup>	1.67 · 10 <sup>-2</sup>
Torr l/s	1.33	0.133	78.9	1	1.32
atm cm <sup>3</sup> /s	1.01	0.101	59.8	0.76	1

Tbl. 19: Conversion table: Units for gas throughput

## 14.2 Technical data

Type designation extended	HiPace® 700 P with TC 400	HiPace® 700 P with TC 400	HiPace® 700 P with TC 400
Part number	PM P04 275	PM P04 680	PM P04 681
Connection flange (in)	DN 160 ISO-K	DN 160 ISO-F	DN 160 CF-F
Connection flange (out)	DN 25 ISO-KF/G ¼"	DN 25 ISO-KF/G ¼"	DN 25 ISO-KF/G ¼"
Final pressure	< 1 · 10 <sup>-7</sup> hPa	< 1 · 10 <sup>-7</sup> hPa	< 5 · 10 <sup>-10</sup> hPa
Compression ratio for Ar	> 1 · 10 <sup>7</sup>	> 1 · 10 <sup>7</sup>	> 1 · 10 <sup>7</sup>
Compression ratio for H <sub>2</sub>	4 · 10 <sup>2</sup>	4 · 10 <sup>2</sup>	4 · 10 <sup>2</sup>



Type designation extended	HiPace® 700 P with TC 400	HiPace® 700 P with TC 400	HiPace® 700 P with TC 400
Compression ratio for He	$3 \cdot 10^3$	$3 \cdot 10^3$	$3 \cdot 10^3$
Compression ratio for N <sub>2</sub>	$> 1 \cdot 10^6$	$> 1 \cdot 10^6$	$> 1 \cdot 10^6$
Pumping speed for Ar	650 l/s	650 l/s	650 l/s
Pumping speed for H <sub>2</sub>	275 l/s	275 l/s	275 l/s
Pumping speed for He	550 l/s	550 l/s	550 l/s
Pumping speed for N <sub>2</sub>	670 l/s	670 l/s	670 l/s
Gas throughput at final rotation speed for Ar	1 hPa·l/s	1 hPa·l/s	1 hPa·l/s
Gas throughput at final rotation speed for H <sub>2</sub>	6 hPa·l/s	6 hPa·l/s	6 hPa·l/s
Gas throughput at final rotation speed for He	4 hPa·l/s	4 hPa·l/s	4 hPa·l/s
Gas throughput at final rotation speed for N <sub>2</sub>	2 hPa·l/s	2 hPa·l/s	2 hPa·l/s
Fore-vacuum max. for N <sub>2</sub>	1.1 hPa	1.1 hPa	1.1 hPa
Fore-vacuum max. for Ar	1.1 hPa	1.1 hPa	1.1 hPa
Fore-vacuum max. for H <sub>2</sub>	0.1 hPa	0.1 hPa	0.1 hPa
Fore-vacuum max. for He	0.5 hPa	0.5 hPa	0.5 hPa
Rotation speed $\pm 2\%$	49200 rpm	49200 rpm	49200 rpm
Rotation speed variable	60 – 100 %	60 – 100 %	60 – 100 %
Performance curve in gas mode 0, vertex C	135/49200 W/min <sup>-1</sup>	135/49200 W/min <sup>-1</sup>	135/49200 W/min <sup>-1</sup>
Performance curve in gas mode 0, vertex D	140/42000 W/min <sup>-1</sup>	140/42000 W/min <sup>-1</sup>	140/42000 W/min <sup>-1</sup>
Performance curve in gas mode 1, vertex A	150/49200 W/min <sup>-1</sup>	150/49200 W/min <sup>-1</sup>	150/49200 W/min <sup>-1</sup>
Performance curve in gas mode 1, vertex B	175/42000 W/min <sup>-1</sup>	175/42000 W/min <sup>-1</sup>	175/42000 W/min <sup>-1</sup>
Performance curve in gas mode 2, vertex E	245/49200 W/min <sup>-1</sup>	245/49200 W/min <sup>-1</sup>	245/49200 W/min <sup>-1</sup>
Performance curve in gas mode 2, vertex F	320/42000 W/min <sup>-1</sup>	320/42000 W/min <sup>-1</sup>	320/42000 W/min <sup>-1</sup>
Operating voltage: DC	48 V	48 V	48 V
Power consumption max.	420 W	420 W	420 W
Input voltage: tolerance	$\pm 10\%$	$\pm 10\%$	$\pm 10\%$
Current, max.	8,75 A	8,75 A	8,75 A
Run-up time	1.6 min	1.6 min	1.6 min
Electronic drive unit	TC 400	TC 400	TC 400
I/O interfaces	RS-485, Remote	RS-485, Remote	RS-485, Remote
Interfaces, extended	Profibus, DeviceNet, E74	Profibus, DeviceNet, E74	Profibus, DeviceNet, E74
Mounting orientation	Arbitrary	Arbitrary	Arbitrary
Bearing	Hybrid	Hybrid	Hybrid
Cooling method	Water	Water	Water
Cooling water flow	100 l/h	100 l/h	100 l/h
Cooling water temperature	15 – 35 °C	15 – 35 °C	15 – 35 °C
Cooling method, optional	Air	Air	Air
Sound pressure level	$\leq 50$ dB(A)	$\leq 50$ dB(A)	$\leq 50$ dB(A)
Venting connection	G 1/8"	G 1/8"	G 1/8"
Max. connection pressure (abs.) for venting/sealing gas valve	1500 hPa	1500 hPa	1500 hPa

Type designation extended	HiPace® 700 P with TC 400	HiPace® 700 P with TC 400	HiPace® 700 P with TC 400
Integral leakage rate	$< 1 \cdot 10^{-8} \text{ Pa m}^3/\text{s}$	$< 1 \cdot 10^{-8} \text{ Pa m}^3/\text{s}$	$< 1 \cdot 10^{-8} \text{ Pa m}^3/\text{s}$
Relative humidity of air	5 – 85 %, non-condensing	5 – 85 %, non-condensing	5 – 85 %, non-condensing
Protection degree	IP54, Type 12	IP54, Type 12	IP54, Type 12
Permissible radial magnetic field max.	6 mT	6 mT	6 mT
Permissible irradiated thermal output max.	4.2 W	4.2 W	4.2 W
Shipping and storage temperature	-20 – 55 °C	-20 – 55 °C	-20 – 55 °C
Weight	10.8 kg	11.4 kg	16.7 kg

Tbl. 20: Technical data for HiPace 700 P | 48 V

### 14.3 Substances in contact with the media

Substances in contact with the media
Aluminum alloy
Stainless steel
Rare-earth magnets
Carbon-fiber-reinforced plastic
Epoxy resin
FKM
Nickel
Felt
Operating fluid (ester oil)
Oxide ceramic, as required

Tbl. 21: Materials that make contact with the process media

### 14.4 Dimensions

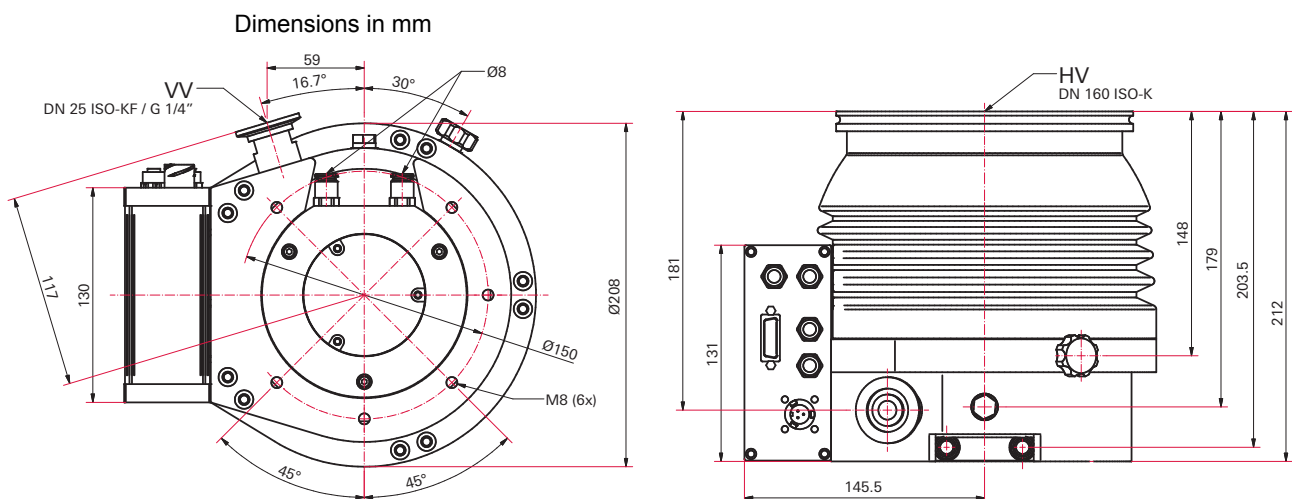


Fig. 24: Dimensions HiPace 700 P | TC 400 | DN 160 ISO-K

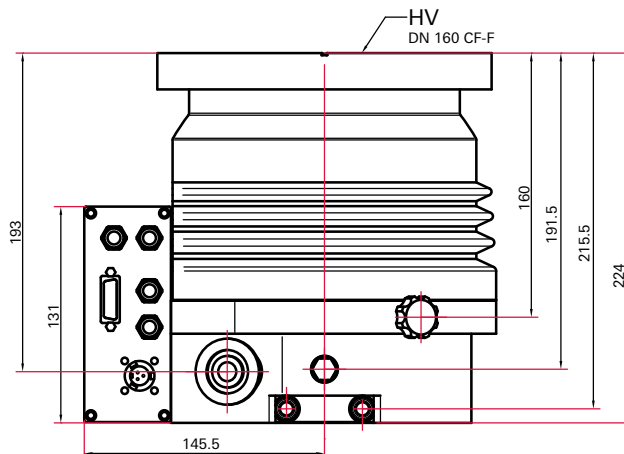
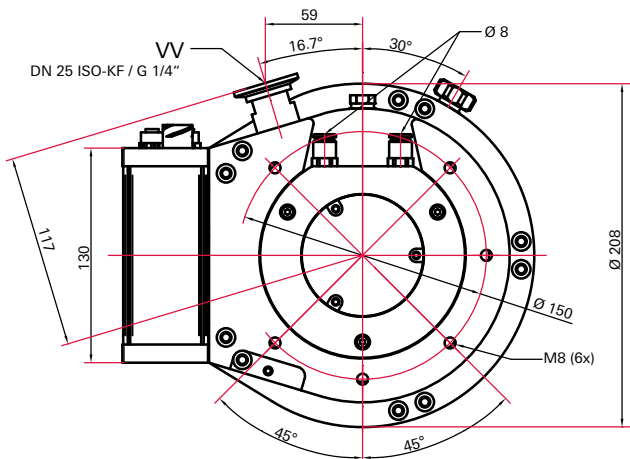


Fig. 25: Dimensions HiPace 700 P | TC 400 | DN 160 CF-F

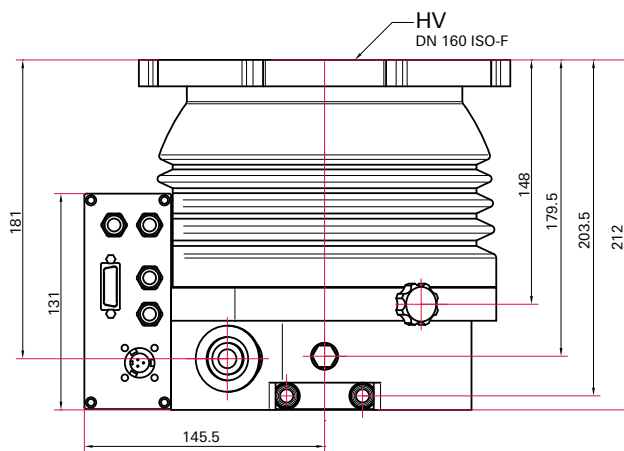
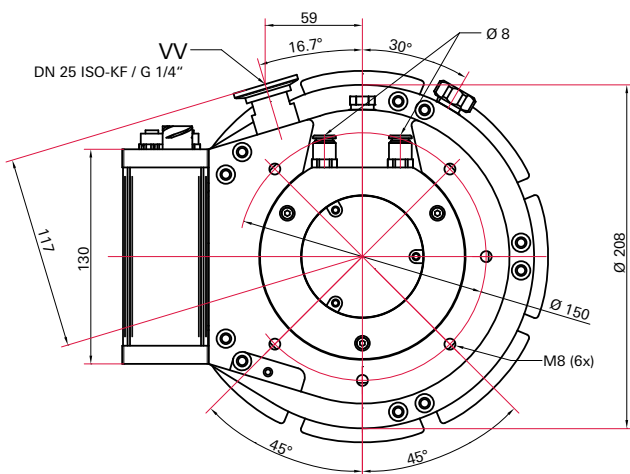


Fig. 26: Dimensions HiPace 700 P | TC 400 | DN 160 ISO-F

# EC Declaration of Conformity

Declaration for product(s) of the type:

**Turbopump**

HiPace 700 P

We hereby declare that the listed product satisfies all relevant provisions of the following **European Directives**.

**Machinery 2006/42/EC (Annex II, no. 1 A)**

**Electromagnetic compatibility 2014/30/EU**

**Restriction of the use of certain hazardous substances 2011/65/EU**

**Restriction of the use of certain hazardous substances, delegated directive 2015/863/EU**

**Harmonized standards and applied national standards and specifications:**

DIN EN ISO 12100 : 2011

DIN EN 61326-1 : 2013

DIN EN 1012-2 : 2011

DIN EN 62061 : 2016

DIN EN IEC 61000-3-2 : 2019

DIN ISO 21360-1 : 2020

DIN EN 61000-3-3 : 2020

ISO 21360-4 : 2018

DIN EN 61010-1 : 2020

DIN EN IEC 63000 : 2019

The authorized representative for the compilation of technical documents is Mr. Tobias Stoll, Pfeiffer Vacuum GmbH, Berliner Straße 43, 35614 Asslar, Germany.

Signature:



Pfeiffer Vacuum GmbH  
Berliner Straße 43  
35614 Asslar  
Germany

(Daniel Sälzer)  
Managing Director

Asslar, 2023-03-16



# UK Declaration of Conformity

This declaration of conformity has been issued under the sole responsibility of the manufacturer.

Declaration for product(s) of the type:

## **Turbopump**

HiPace 700 P

We hereby declare that the listed product satisfies all relevant provisions of the following **British Directives**.

**Supply of Machinery (Safety) Regulations 2008**

**Electromagnetic Compatibility Regulations 2016**

**The Restriction of the Use of Certain Hazardous Substances in Electrical and Electronic Equipment Regulations 2012**

## **Applied standards and specifications:**

ISO 12100:2010	IEC 61326-1:2012
EN 1012-2+A1:1996	IEC 62061:2005
IEC 61000-3-2:2018	ISO 21360-1:2020
IEC 61000-3-3+A1:2013	ISO 21360-4:2018
IEC 61010-1+A1:2010	IEC 63000:2018

The manufacturer's authorized representative in the United Kingdom and the authorized agent for compiling the technical documentation is Pfeiffer Vacuum Ltd, 16 Plover Close, Interchange Park, MK169PS Newport Pagnell.

---

Signature:



(Daniel Sälzer)  
Managing Director

Pfeiffer Vacuum GmbH  
Berliner Straße 43  
35614 Asslar  
Germany

---

Asslar, 2023-03-16

**UK  
CA**

## VACUUM SOLUTIONS FROM A SINGLE SOURCE

Pfeiffer Vacuum stands for innovative and custom vacuum solutions worldwide, technological perfection, competent advice and reliable service.

## COMPLETE RANGE OF PRODUCTS

From a single component to complex systems:

We are the only supplier of vacuum technology that provides a complete product portfolio.

## COMPETENCE IN THEORY AND PRACTICE

Benefit from our know-how and our portfolio of training opportunities!

We support you with your plant layout and provide first-class on-site service worldwide.

ed. G - Date 2203 - P/N:PT0308BEN



Are you looking for a  
perfect vacuum solution?  
Please contact us

Pfeiffer Vacuum GmbH  
Headquarters • Germany  
T +49 6441 802-0  
info@pfeiffer-vacuum.de

[www.pfeiffer-vacuum.com](http://www.pfeiffer-vacuum.com)

**PFEIFFER**  **VACUUM**