

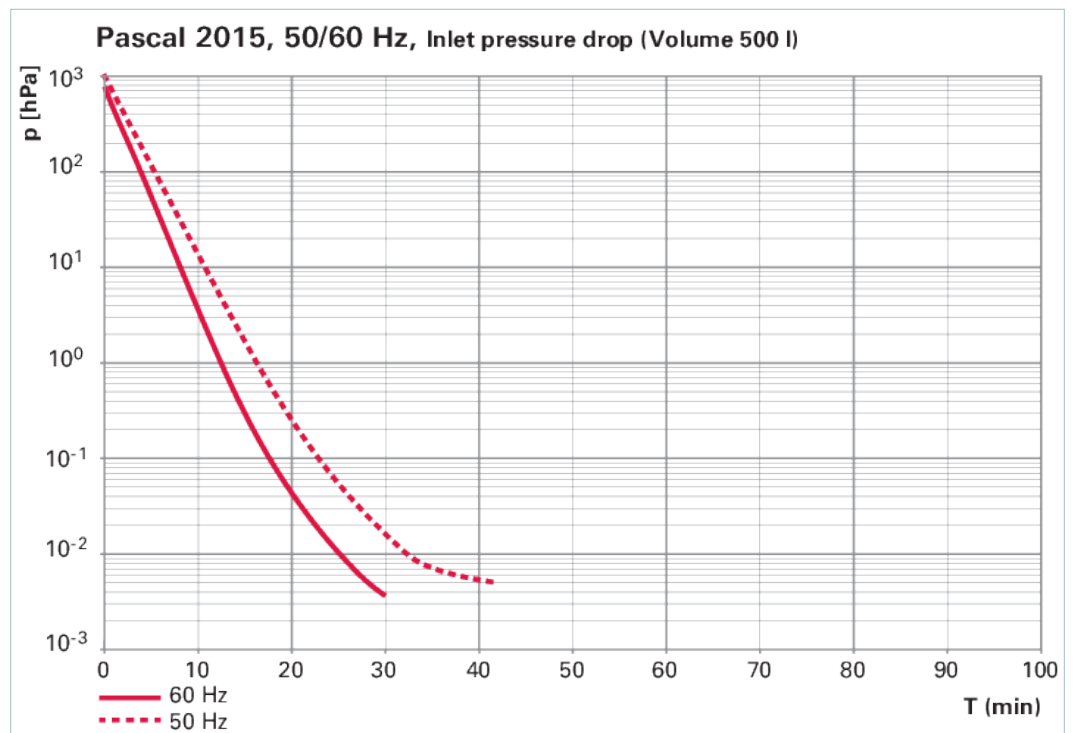
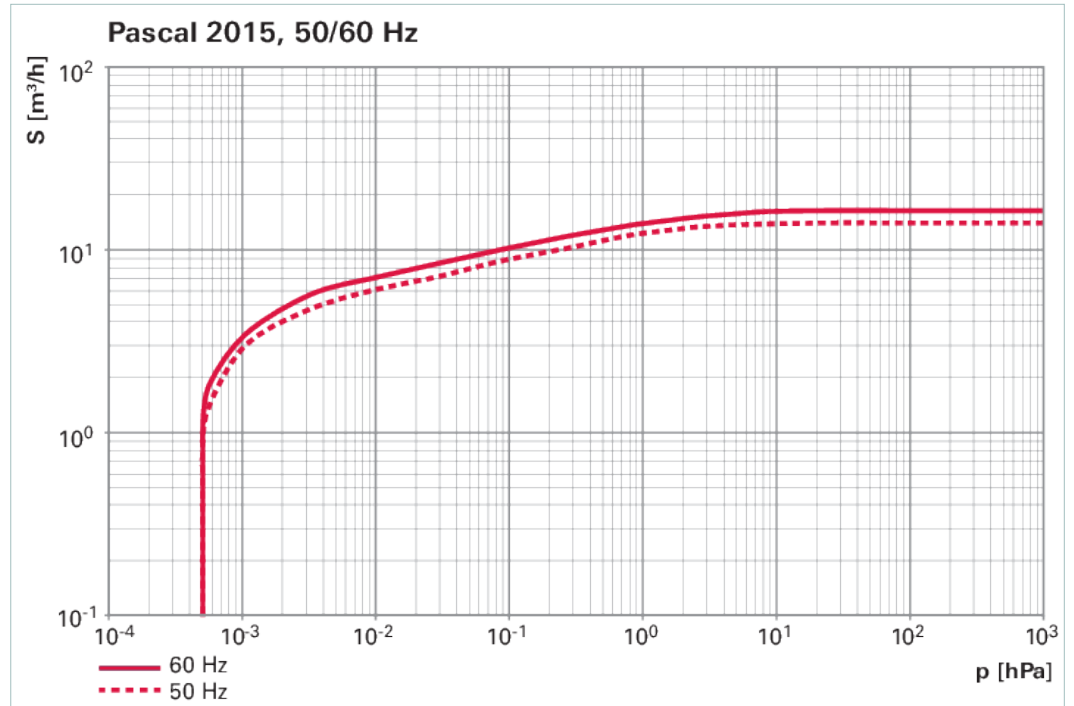


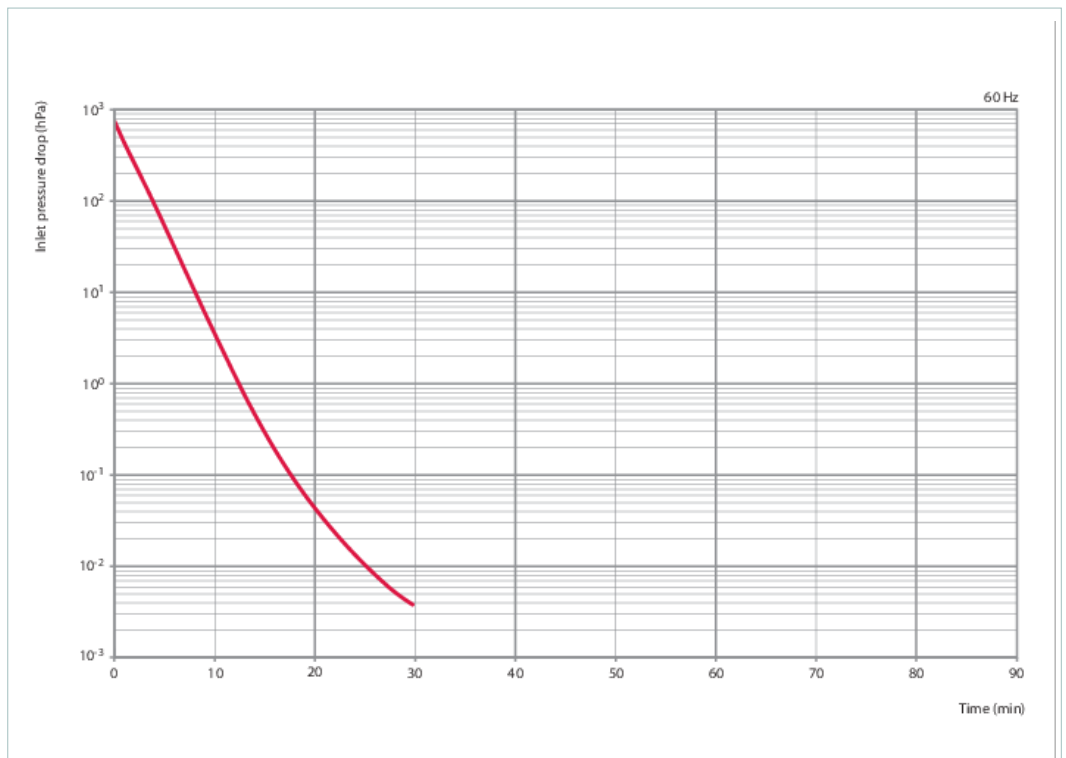
Pascal 2015, SD version, 3-phase motor, 342-460 V, 50 Hz; 342-520 V, 60 Hz, CE/UL/CSA



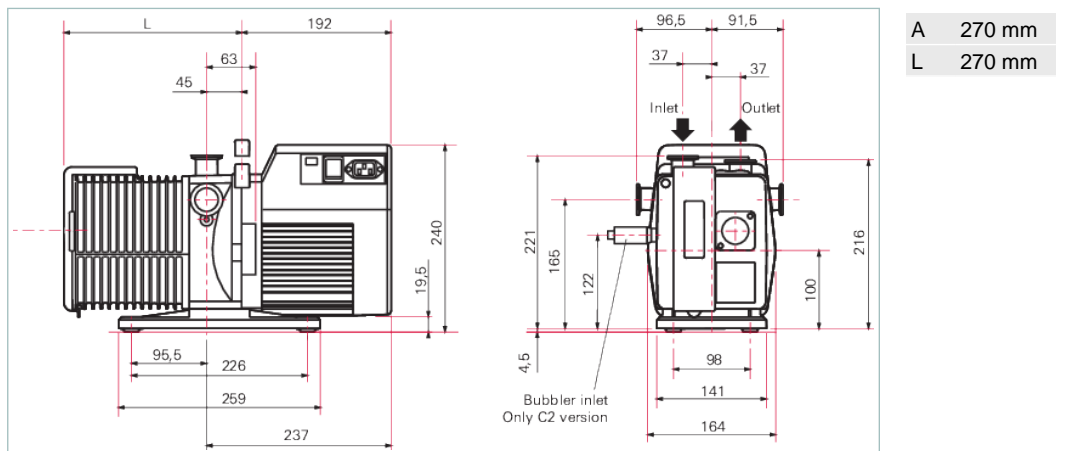
Similar Image

**Pascal 2015, SD version, 3-phase motor, 342-460 V, 50 Hz;
342-520 V, 60 Hz, CE/UL/CSA**





Dimensions



Technical Data	Pascal 2015, SD version, 3-phase motor, 342-460 V, 50 Hz; 342-520 V, 60 Hz, CE/UL/CSA
Flange (in)	DN 25 ISO-KF
Flange (out)	DN 25 ISO-KF
Mains requirement: voltage 50 Hz	342 – 460 V
Mains requirement: voltage 60 Hz	342 – 520 V
Motor version	3-phase Motor
Operating fluid	Mineral oil
Pumping speed at 50 Hz	14 m ³ /h
Pumping speed at 60 Hz	16.5 m ³ /h
Rated power 50 Hz	0.55 kW
Rated power 60 Hz	0.66 kW
Ultimate pressure	5 · 10 ⁻⁴ hPa 3.75 · 10 ⁻⁴ Torr 5 · 10 ⁻⁴ mbar
Ultimate pressure with gas ballast	1 · 10 ⁻² hPa 7.5 · 10 ⁻³ Torr 1 · 10 ⁻² mbar
Version	Standard
Weight	27 kg 59.52 lb

Order number	
Pascal 2015, SD version	215SDTHEM

Accessories	
Magnetic gas ballast valve	
Automatic gas ballast AGB 4, 230 V, 50/60 Hz	104086
Automatic gas ballast AGB 4, 115 V	104087
Automatic gas ballast AGB 4, 24 VDC	104089
Automatic gas ballast AGB 4, 200 V, 50/60 Hz	104366
Zeolite trap	
Sorption trap ST 25 S	104107
OME S	
Oil mist eliminator OME 25 S	104200
Operating fluid return line from operating fluid mist filter	
Oil drain kit ODK 1 from oil mist eliminator	104360
Oil return unit ODK 2 from OME 25, magnetic valve 230 V 50/60 Hz, Pascal 2005–2021	104361
Oil return unit ODK 2 from OME 25, Pascal 2005–2021, magnetic valve 115 V, 60 Hz	104362
Oil return unit ODK 2 from OME 25, Pascal 2005–2021, magnetic valve 200 V, 50/60 Hz	104364
Oil return unit ODK 2 from OME, Pascal 2005–2021, magnetic valve 24 V DC	104365
Operating fluid level monitoring	
Oil level switch OLS 4	104376
OME M	
OME 25 ML, oil mist filter for pumping speeds of up to 30 m ³ /h	PK Z40 158
Dust separator	
SAS 25, dust separator, DN 25 ISO-KF, polyester filter	PK Z60 508
KLF	
KLF 025, cold trap	PK Z80 006
URB	
URB 025, catalytic trap, 230 V	PT U10 760
URB 025, catalytic trap, 115 V	PT U10 761
Consumables	
A120, hydrocarbon oil, 2 L	068099
A111, hydrocarbon oil, 2 L	064655
A102, hydrocarbon oil, 2 L	010996
A119, hydrocarbon oil, 1 L	103855
A200, Distilled hydrocarbon oil, 3,8 L	068695
A300, white mineral oil, 3,8 L	068891
A121, hydrocarbon oil, 1 L	102724
D1, synthetic diester based oil, 1 l	PK 005 875 -T

VACUUM SOLUTIONS FROM A SINGLE SOURCE

Pfeiffer Vacuum stands for innovative and custom vacuum solutions worldwide, technological perfection, competent advice and reliable service.

COMPLETE RANGE OF PRODUCTS

From a single component to complex systems:

We are the only supplier of vacuum technology that provides a complete product portfolio.

COMPETENCE IN THEORY AND PRACTICE

Benefit from our know-how and our portfolio of training opportunities!

We support you with your plant layout and provide first-class on-site service worldwide.

Are you looking for a
perfect vacuum solution?
Please contact us:

Pfeiffer Vacuum GmbH
Headquarters · Germany
T +49 6441 802-0
info@pfeiffer-vacuum.de

www.pfeiffer-vacuum.com

All data subject to change without prior notice.

PFEIFFER  **VACUUM**