



PKR 251, FPM sealed, DN 25 ISO-KF

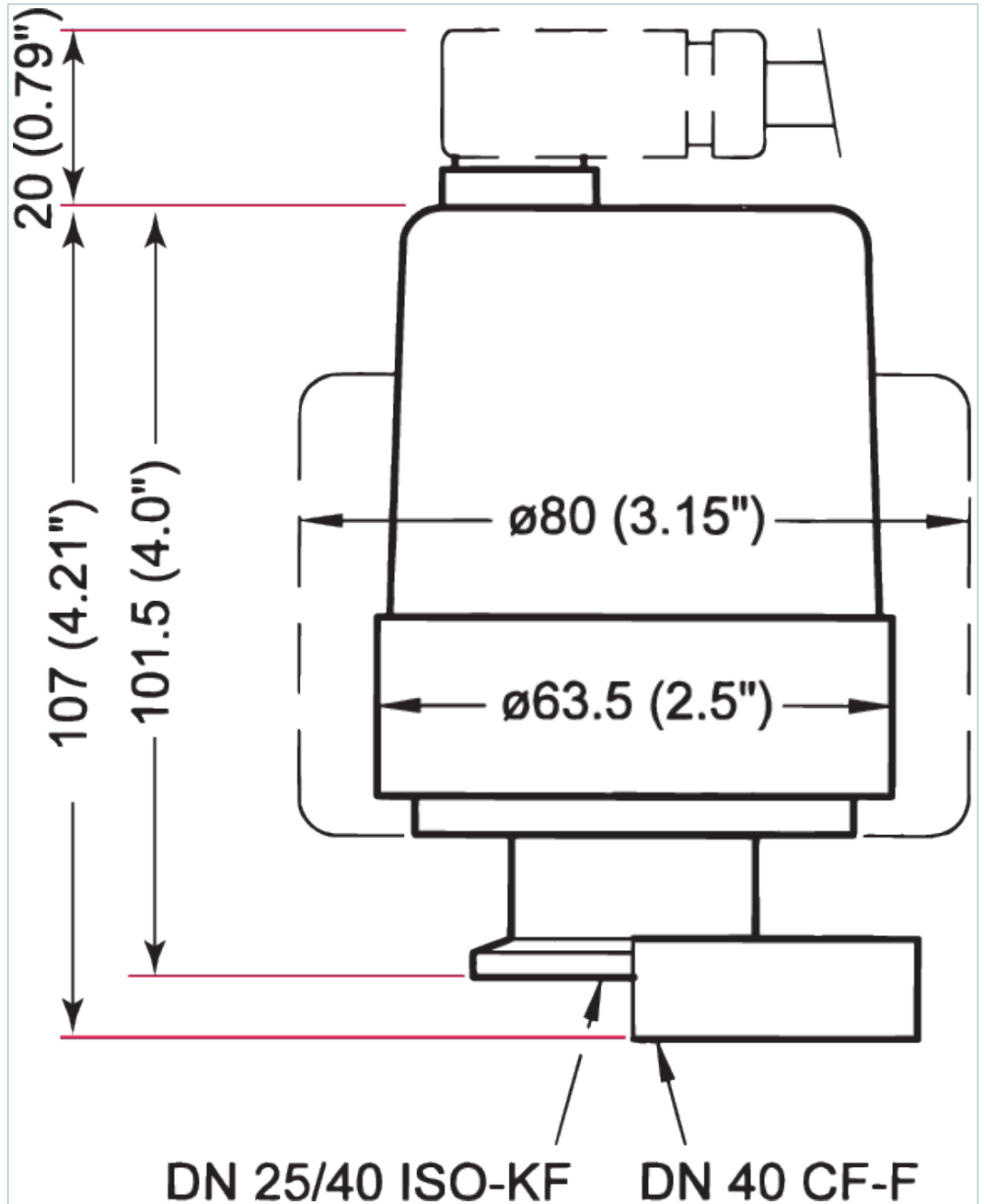


Similar Image

PKR 251, FPM sealed, DN 25 ISO-KF

- Flange size: DN 25 ISO-KF
- Maximum pressure applies to inert gases and temperatures of less than 55 °C
- Corrosion-resistant

Dimensions



Technical Data	PKR 251, FPM sealed, DN 25 ISO-KF
Ambient temperature	5-55 °C 41-131 °F 278-328 K
Anode	Mo
Attribute	Interior FPM sealed

Technical Data	PKR 251, FPM sealed, DN 25 ISO-KF
Bakeout temperature	Electronic removed 150 °C Electronic removed 302 °F Electronic removed 423 K
Feedthrough	Al ₂ O ₃ , Glass
Filament	Tungsten
Flange, material	Stainless steel
Measurement cable length	300 m
Measuring range	5 · 10 ⁻⁹ – 1 · 10 ³ hPa
Nominal diameter	DN 25 ISO-KF
Output signal: Measuring range	1.8 – 8.6 V
Output signal: Minimum load	10 kΩ
Precision: 1 · 10 ⁻⁸ – 1 · 100 hPa	± 30 %
Pressure max.	10,000 hPa 7,500 Torr 10,000 mbar
Repeatability: 1 · 10 ⁻⁸ – 100 hPa	± 5 %
Seal	FKM
Supply: consumption max.	2 W
Supply: Voltage V DC	15 – 30 V DC
Temperature: Storage	-40-65 °C -40-149 °F 233-338 K
Volume	20 cm ³
Weight	700 g

Order number	
PKR 251	PT R26 000

Accessories	
Adapters (electrical) Adapter Measurement	
Mating connector, 6 pole	B4707283MA
Cables Measurement cables	
Measurement cable, 3 m	PT 448 250 -T
Protection Magnetic shield	
Magnetic shield for IKR and PKR 2xx	PT 443 155 -X

VACUUM SOLUTIONS FROM A SINGLE SOURCE

Pfeiffer Vacuum stands for innovative and custom vacuum solutions worldwide, technological perfection, competent advice and reliable service.

COMPLETE RANGE OF PRODUCTS

From a single component to complex systems:

We are the only supplier of vacuum technology that provides a complete product portfolio.

COMPETENCE IN THEORY AND PRACTICE

Benefit from our know-how and our portfolio of training opportunities!

We support you with your plant layout and provide first-class on-site service worldwide.

Are you looking for a
perfect vacuum solution?
Please contact us:

Pfeiffer Vacuum GmbH
Headquarters · Germany
T +49 6441 802-0
info@pfeiffer-vacuum.de

www.pfeiffer-vacuum.com

All data subject to change without prior notice.

PFEIFFER  **VACUUM**